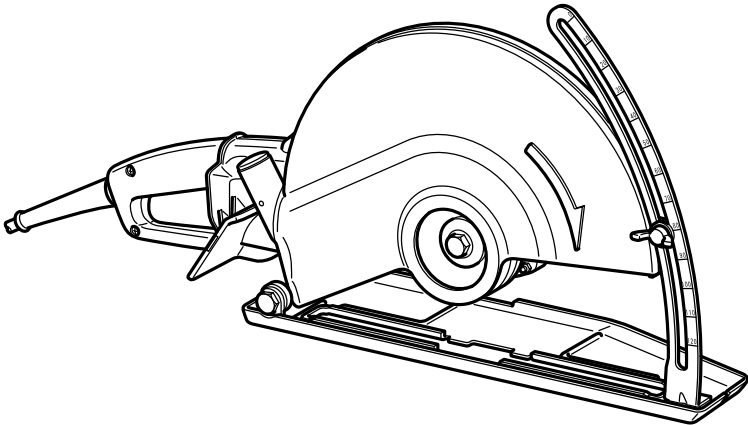


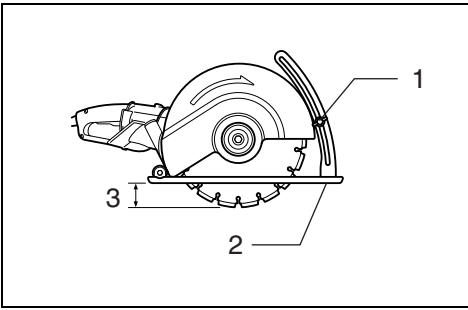
DOLMAR



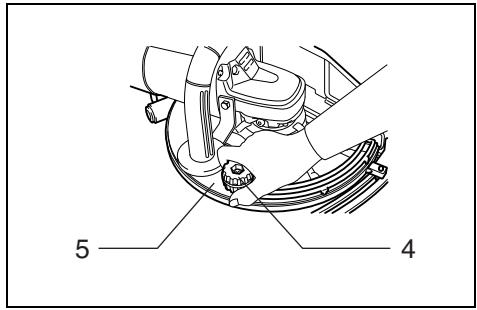
GB	Angle Cutter	Instruction Manual
F	Tronçonneuse pour Beton	Manuel d'instructions
D	Winkelschneider	Betriebsanleitung
I	Troncatrice angolo	Istruzioni per l'uso
NL	Haakse betonslijper	Gebruiksaanwijzing
E	Cortadora Angular	Manual de instrucciones
P	Frezadora de cabeça angular	Manual de instruções
DK	Diamantskæremaskine	Brugsanvisning
GR	Γωνιακός κόφτης	Οδηγίες χρήσεως

EC-2412
EC-2414

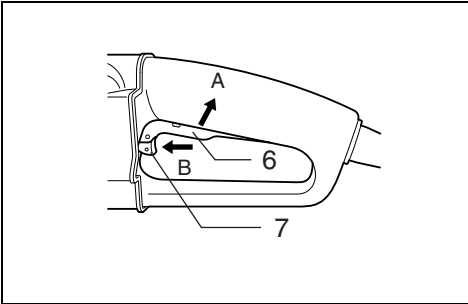




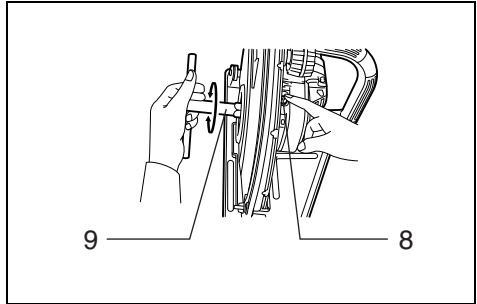
1



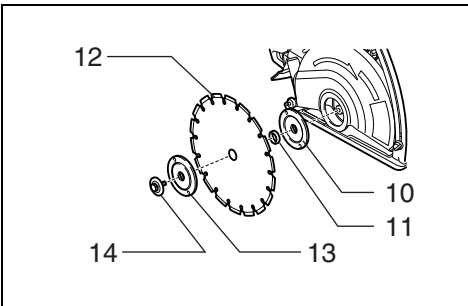
2



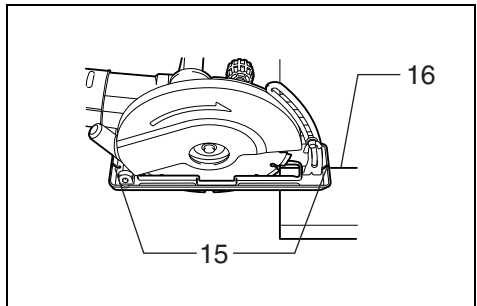
3



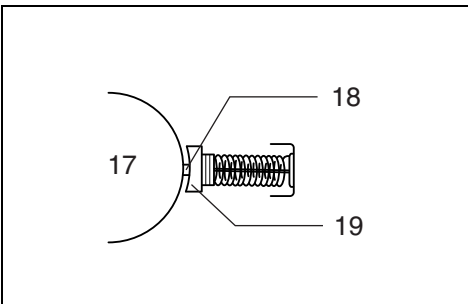
4



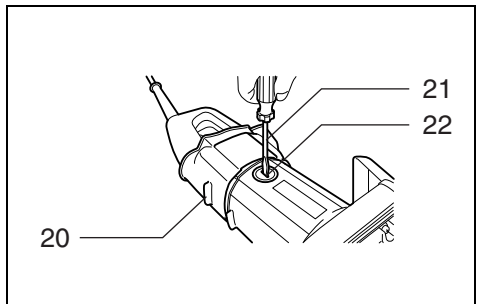
5



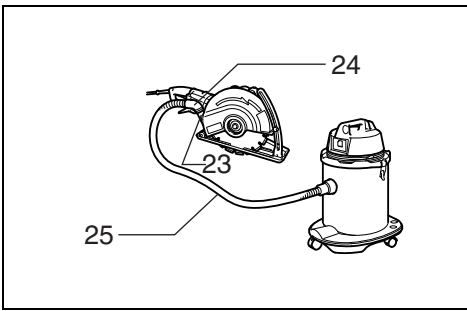
6



7



8




9

Explanation of general view

1 Wing bolt	10 Flange	19 Carbon brush
2 Base	11 Ring	20 Dust cover
3 Cutting depth	12 Wheel	21 Screwdriver
4 Clamping nut	13 Flange	22 Brush holder cap
5 Wheel guard	14 Hex bolt	23 Dust nozzle
6 Switch trigger	15 Notch	24 Elbow joint
7 Lock lever	16 Cutting line	25 Hose
8 Shaft lock	17 Commutator	
9 Socket wrench	18 Insulating tip	

SPECIFICATIONS

Model	EC-2412	EC-2414
Wheel diameter	305 mm	355 mm
Max cutting capacity	100 mm	125 mm
No load speed (min ⁻¹)	5,000	3,500
Overall length	648 mm	675 mm
Net weight	11.4 kg	12.8 kg
Safety class	 II	

- Due to our continuing program of research and development, the specifications herein are subject to change without notice.
- Specifications may differ from country to country.
- Weight according to EPTA-Procedure 01/2003

Intended use

The tool is intended for cutting tracks in concrete walls or cutting in ferrous materials or concrete drainage channels with a diamond wheel but without using water.

Power supply

The tool should be connected only to a power supply of the same voltage as indicated on the nameplate, and can only be operated on single-phase AC supply. They are double-insulated in accordance with European Standard and can, therefore, also be used from sockets without earth wire.

GEA010-1

General Power Tool Safety Warnings

⚠ WARNING Read all safety warnings and all instructions. Failure to follow the warnings and instructions may result in electric shock, fire and/or serious injury.

Save all warnings and instructions for future reference.

GEB042-2

ANGLE CUTTER SAFETY WARNINGS

Safety Warnings Common for Abrasive Cutting-Off Operations:

- 1. This power tool is intended to function as a cut-off tool. Read all safety warnings, instructions, illustrations and specifications provided with this power tool.** Failure to follow all instructions listed below may result in electric shock, fire and/or serious injury.
- 2. Operations such as grinding, wire brushing, polishing are not recommended to be performed with this power tool.** Operations for which the power tool was not designed may create a hazard and cause personal injury.
- 3. Do not use accessories which are not specifically designed and recommended by the tool manufacturer.** Just because the accessory can be attached to your power tool, it does not assure safe operation.
- 4. The rated speed of the accessory must be at least equal to the maximum speed marked on the power tool.** Accessories running faster than their rated speed can break and fly apart.
- 5. The outside diameter and the thickness of your accessory must be within the capacity rating of your power tool.** Incorrectly sized accessories cannot be adequately guarded or controlled.
- 6. The arbour size of wheels, flanges, backing pads or any other accessory must properly fit the spindle of the power tool.** Accessories with arbour holes that do not match the mounting hardware of the power tool will run out of balance, vibrate excessively and may cause loss of control.
- 7. Do not use a damaged accessory. Before each use inspect the accessory such as abrasive wheels for chips and cracks, backing pad for cracks, tear or excess wear, wire brush for loose or cracked wires. If power tool or accessory is dropped, inspect for damage or install an undamaged accessory. After inspecting and installing an accessory, position yourself and bystanders away from the plane of the rotating accessory and run the power tool at maximum no-load speed for one minute.** Damaged accessories will normally break apart during this test time.
- 8. Wear personal protective equipment. Depending on application, use face shield, safety goggles or safety glasses. As appropriate, wear dust mask, hearing protectors, gloves and workshop apron capable of stopping small abrasive or workpiece fragments.** The eye protection must be capable of stopping flying debris generated by various operations. The dust mask or respirator must be capable of filtering particles generated by your operation. Prolonged exposure to high intensity noise may cause hearing loss.
- 9. Keep bystanders a safe distance away from work area. Anyone entering the work area must wear personal protective equipment.** Fragments of workpiece or of a broken accessory may fly away and cause injury beyond immediate area of operation.

10. **Hold power tool by insulated gripping surfaces only, when performing an operation where the cutting accessory may contact hidden wiring or its own cord.** Cutting accessory contacting a “live” wire may make exposed metal parts of the power tool “live” and shock the operator.
11. **Position the cord clear of the spinning accessory.** If you lose control, the cord may be cut or snagged and your hand or arm may be pulled into the spinning accessory.
12. **Never lay the power tool down until the accessory has come to a complete stop.** The spinning accessory may grab the surface and pull the power tool out of your control.
13. **Do not run the power tool while carrying it at your side.** Accidental contact with the spinning accessory could snag your clothing, pulling the accessory into your body.
14. **Regularly clean the power tool’s air vents.** The motor’s fan will draw the dust inside the housing and excessive accumulation of powdered metal may cause electrical hazards.
15. **Do not operate the power tool near flammable materials.** Sparks could ignite these materials.
16. **Do not use accessories that require liquid coolants.** Using water or other liquid coolants may result in electrocution or shock.

Kickback and Related Warnings

Kickback is a sudden reaction to a pinched or snagged rotating wheel, backing pad, brush or any other accessory. Pinching or snagging causes rapid stalling of the rotating accessory which in turn causes the uncontrolled power tool to be forced in the direction opposite of the accessory’s rotation at the point of the binding.

For example, if an abrasive wheel is snagged or pinched by the workpiece, the edge of the wheel that is entering into the pinch point can dig into the surface of the material causing the wheel to climb out or kick out. The wheel may either jump toward or away from the operator, depending on direction of the wheel’s movement at the point of pinching. Abrasive wheels may also break under these conditions.

Kickback is the result of power tool misuse and/or incorrect operating procedures or conditions and can be avoided by taking proper precautions as given below.

- a) **Maintain a firm grip on the power tool and position your body and arm to allow you to resist kickback forces. Always use auxiliary handle, if provided, for maximum control over kickback or torque reaction during start-up.** The operator can control torque reactions or kickback forces, if proper precautions are taken.
- b) **Never place your hand near the rotating accessory.** Accessory may kickback over your hand.
- c) **Do not position your body in the area where power tool will move if kickback occurs.** Kickback will propel the tool in direction opposite to the wheel’s movement at the point of snagging.
- d) **Use special care when working corners, sharp edges etc. Avoid bouncing and snagging the accessory.** Corners, sharp edges or bouncing have a tendency to snag the rotating accessory and cause loss of control or kickback.

- e) **Do not attach a saw chain woodcarving blade or toothed saw blade.** Such blades create frequent kickback and loss of control.

Safety Warnings Specific for Abrasive Cutting-Off Operations:

- a) **Use only wheel types that are recommended for your power tool and the specific guard designed for the selected wheel.** Wheels for which the power tool was not designed cannot be adequately guarded and are unsafe.
- b) **The guard must be securely attached to the power tool and positioned for maximum safety, so the least amount of wheel is exposed towards the operator.** The guard helps to protect operator from broken wheel fragments and accidental contact with wheel.
- c) **Wheels must be used only for recommended applications. For example: do not grind with the side of cut-off wheel.** Abrasive cut-off wheels are intended for peripheral grinding, side forces applied to these wheels may cause them to shatter.
- d) **Always use undamaged wheel flanges that are of correct size and shape for your selected wheel.** Proper wheel flanges support the wheel thus reducing the possibility of wheel breakage. Flanges for cut-off wheels may be different from grinding wheel flanges.
- e) **Do not use worn down wheels from larger power tools.** Wheel intended for larger power tool is not suitable for the higher speed of a smaller tool and may burst.

Additional Safety Warnings Specific for Abrasive Cutting-Off Operations:

- a) **Do not “jam” the cut-off wheel or apply excessive pressure. Do not attempt to make an excessive depth of cut.** Overstressing the wheel increases the loading and susceptibility to twisting or binding of the wheel in the cut and the possibility of kickback or wheel breakage.
- b) **Do not position your body in line with and behind the rotating wheel.** When the wheel, at the point of operation, is moving away from your body, the possible kickback may propel the spinning wheel and the power tool directly at you.
- c) **When wheel is binding or when interrupting a cut for any reason, switch off the power tool and hold the power tool motionless until the wheel comes to a complete stop. Never attempt to remove the cut-off wheel from the cut while the wheel is in motion otherwise kickback may occur.** Investigate and take corrective action to eliminate the cause of wheel binding.
- d) **Do not restart the cutting operation in the workpiece. Let the wheel reach full speed and carefully reenter the cut.** The wheel may bind, walk up or kickback if the power tool is restarted in the workpiece.
- e) **Support panels or any oversized workpiece to minimize the risk of wheel pinching and kickback.** Large workpieces tend to sag under their own weight. Supports must be placed under the workpiece near the line of cut and near the edge of the workpiece on both sides of the wheel.

- f) Use extra caution when making a “pocket cut” into existing walls or other blind areas. The protruding wheel may cut gas or water pipes, electrical wiring or objects that can cause kickback.

Additional Safety Warnings:

17. When using depressed center grinding wheels, be sure to use only fiberglass-reinforced wheels.
18. Be careful not to damage the spindle, the flange (especially the installing surface) or the lock nut. Damage to these parts could result in wheel breakage.
19. Make sure the wheel is not contacting the workpiece before the switch is turned on.
20. Before using the tool on an actual workpiece, let it run for a while. Watch for vibration or wobbling that could indicate poor installation or a poorly balanced wheel.
21. Use the specified surface of the wheel to perform the grinding.
22. Watch out for flying sparks. Hold the tool so that sparks fly away from you and other persons or flammable materials.
23. Do not leave the tool running. Operate the tool only when hand-held.
24. Do not touch the workpiece immediately after operation; it may be extremely hot and could burn your skin.
25. Always be sure that the tool is switched off and unplugged or that the battery cartridge is removed before carrying out any work on the tool.
26. Observe the instructions of the manufacturer for correct mounting and use of wheels. Handle and store wheels with care.
27. Do not use separate reducing bushings or adaptors to adapt large hole abrasive wheels.
28. Use only flanges specified for this tool.
29. For tools intended to be fitted with threaded hole wheel, ensure that the thread in the wheel is long enough to accept the spindle length.
30. Check that the workpiece is properly supported.
31. Pay attention that the wheel continues to rotate after the tool is switched off.
32. If working place is extremely hot and humid, or badly polluted by conductive dust, use a short-circuit breaker (30 mA) to assure operator safety.
33. Do not use the tool on any materials containing asbestos.
34. Do not use water or grinding lubricant.
35. Ensure that ventilation openings are kept clear when working in dusty conditions. If it should become necessary to clear dust, first disconnect the tool from the mains supply (use non metallic objects) and avoid damaging internal parts.
36. When use cut-off wheel, always work with the dust collecting wheel guard required by domestic regulation.
37. Cutting discs must not be subjected to any lateral pressure.

SAVE THESE INSTRUCTIONS.

WARNING:

DO NOT let comfort or familiarity with product (gained from repeated use) replace strict adherence to safety rules for the subject product. **MISUSE** or failure to follow the safety rules stated in this instruction manual may cause serious personal injury.

FUNCTIONAL DESCRIPTION

CAUTION:

- Always be sure that the tool is switched off and unplugged before adjusting or checking function on the tool.

Adjusting the depth of cut (Fig. 1)

Loosen the wing bolt on the depth guide and move the base up or down. At the desired depth of cut, secure the base by tightening the wing bolt.

Only in case you adjust the cutting depth to the maximum one, always be sure to do the depth adjustment after adjustment of the wheel guard.

Securing wheel guard (Fig. 2)

CAUTION:

- The wheel guard must be adjusted on the tool so that the closed side of the guard always points toward the operator.

The wheel guard can be adjusted about 80 degrees, after you loosen the clamping nut. Adjust to the desired angle, then secure the clamping nut.

Switch action (Fig. 3)

CAUTION:

- Before plugging in the tool, always check to see that the switch trigger actuates properly and returns to the “OFF” position when released.

For tool with the lock-on switch

To start the tool, simply pull the switch trigger (A direction). Release the switch trigger to stop.

For continuous operation, pull the switch trigger (A direction) and then push in the lock lever (B direction).

To stop the tool from the locked position, pull the switch trigger (A direction) fully, then release it.

For tool with the lock-off switch

To prevent the switch trigger from accidentally pulled, a lock lever is provided.

To start the tool, push in the lock lever (B direction) and then pull the switch trigger (A direction). Release the switch trigger to stop.

For tool with the lock on and lock-off switch

To prevent the switch trigger from accidentally pulled, a lock lever is provided.

To start the tool, push in the lock lever (B direction) and then pull the switch trigger (A direction). Release the switch trigger to stop.

For continuous operation, push in the lock lever, (B direction) pull the switch trigger (A direction) and then push the lock lever (B direction) further in.

To stop the tool from the locked position, pull the switch trigger (A direction) fully, then release it.

ASSEMBLY

CAUTION:

- Always be sure that the tool is switched off and unplugged before carrying out any work on the tool.

Installing or removing the wheel (Fig. 4 & 5)

To remove the wheel, depress the shaft lock to hold the shaft stationary, then loosen the hex bolt clockwise with the socket wrench.

To install a wheel, place flange with its partly elevated side facing the tool, and then place ring before installing a wheel onto the spindle (shaft) and another flange with partly elevated side facing outward.

Be sure to fully tighten the hex bolt counterclockwise after mounting the new wheel, or operation will be dangerous.

CAUTION:

- Use only the Dolmar wrench to install or remove the wheel.

OPERATION

CAUTION:

Be sure to pull the tool when cutting a workpiece.

- Use this tool for straight line cutting only. Cutting curves can cause stress cracks or fragmentation of the diamond wheel and abrasive cut-off wheel resulting in possible injury to persons in the vicinity.
- After operation, always switch off the tool and wait until the wheel has come to a complete stop before putting the tool down.
- When cutting concrete blocks, tiles or masonry materials, do not make a cut in depth more than 60 mm. When you need to cut a workpiece over 60 mm up to 100 mm, make more than two passes of cuts. The depth of the most efficient cut is about 40 mm.

Hold the tool firmly with both hands. First keep the wheel without making any contact with a workpiece to be cut. Then turn the tool on and wait until the wheel attains full speed.

The cut is made by pulling the tool toward you (not by pushing away from you). Align the notch on the base with your cutting line when performing a cut.

Switch off the tool in the position posed when finishing a cut. Raise the tool after the wheel comes to a complete stop. (Fig. 6)

MAINTENANCE

CAUTION:

- Always be sure that the tool is switched off and unplugged before attempting to perform inspection or maintenance.
- Never use gasoline, benzene, thinner, alcohol or the like. Discoloration, deformation or cracks may result.

Dressing diamond wheel

If the cutting action of the diamond wheel begins to diminish, use an old discarded coarse grit bench grinder wheel or concrete block to dress the diamond wheel. To do this, tightly secure the bench grinder wheel or concrete block and cut in it.

Replacing carbon brushes (Fig. 7 & 8)

When the resin insulating tip inside the carbon brush is exposed to contact the commutator, it will automatically shut off the motor. When this occurs, both carbon brushes should be replaced. Keep the carbon brushes clean and free to slip in the holders. Both carbon brushes should be replaced at the same time. Use only identical carbon brushes.

Pick up an end of the dust cover slightly with hands so that brush holder cap appears.

Use a screwdriver to remove the brush holder caps. Take out the worn carbon brushes, insert the new ones and secure the brush holder caps.

To maintain product SAFETY and RELIABILITY, repairs, any other maintenance or adjustment should be performed by Dolmar Authorized Service Centers, always using Dolmar replacement parts.

OPTIONAL ACCESSORIES

CAUTION:

- These accessories or attachments are recommended for use with your Dolmar tool specified in this manual. The use of any other accessories or attachments might present a risk of injury to persons. Only use accessory or attachment for its stated purpose.

If you need any assistance for more details regarding these accessories, ask your local Dolmar Service Center.

- Diamond wheels (Dry type)
- Abrasive cut-off wheels
- Socket wrench 17
- Safety goggle
- Ring 20
- Elbow joint

Connecting to vacuum cleaner (Fig. 9)

When you wish to perform cleaner operation, connect a vacuum cleaner to your tool. Connect a hose of vacuum cleaner to the dust nozzle via an elbow joint (accessory).

NOTE:

- Some items in the list may be included in the tool package as standard accessories. They may differ from country to country.

Noise

The typical A-weighted noise level determined according to EN60745:

For Model EC-2412

Sound pressure level (L_{pA}): 101 dB (A)

Sound power level (L_{WA}): 112 dB (A)

Uncertainty (K): 3 dB (A)

For Model EC-2414

Sound pressure level (L_{pA}): 103 dB (A)

Sound power level (L_{WA}): 114 dB (A)

Uncertainty (K): 3 dB (A)

Wear ear protection

ENG229-2

Vibration

The vibration total value (tri-axial vector sum) determined according to EN60745:

For Model EC-2412

Work mode: concrete cutting

Vibration emission (a_h): 2.5 m/s²

Uncertainty (K): 1.5 m/s²

For Model EC-2414

Work mode: concrete cutting

Vibration emission (a_h): 3.0 m/s²

Uncertainty (K): 1.5 m/s²

ENG901-1

- The declared vibration emission value has been measured in accordance with the standard test method and may be used for comparing one tool with another.
- The declared vibration emission value may also be used in a preliminary assessment of exposure.

WARNING:

- The vibration emission during actual use of the power tool can differ from the declared emission value depending on the ways in which the tool is used.
- Be sure to identify safety measures to protect the operator that are based on an estimation of exposure in the actual conditions of use (taking account of all parts of the operating cycle such as the times when the tool is switched off and when it is running idle in addition to the trigger time).

For European countries only**EC Declaration of Conformity**

The undersigned, Tamiro Kishima and Rainer Bergfeld, as authorized by Dolmar GmbH, declare that the Dolmar machine(s):

Designation of Machine: Angle Cutter

Model No./ Type: EC-2412, EC-2414

are of series production and

Conforms to the following European Directives:

2006/42/EC

And are manufactured in accordance with the following standards or standardised documents:

EN60745

The technical documentation is on file at:

Dolmar GmbH,

Jenfelder Straße 38, Abteilung FZ,

D-22045 Hamburg

30.1.2009



Tamiro Kishima
Managing Director




Rainer Bergfeld
Managing Director

1 Boulon à oreilles	10 Flasque	19 Charbon
2 Embase	11 Anneau	20 Capuchon anti-poussière
3 Profondeur de coupe	12 Disque	21 Tournevis
4 Écrou de serrage	13 Flasque	22 Bouchon de porte-charbon
5 Carter de disque	14 Boulon hexagonal	23 Raccord à poussières
6 Gâchette	15 Entaille	24 Coude de raccord
7 Levier de verrouillage	16 Ligne de coupe	25 Tuyau
8 Blocage de l'arbre	17 Commutateur	
9 Clé à douille	18 Bout isolateur	

SPÉCIFICATIONS

GEB042-2

Modèle	EC-2412	EC-2414
Diamètre du disque	305 mm	355 mm
Capacité de coupe max.	100 mm	125 mm
Vitesse à vide (min ⁻¹)	5 000	3 500
Longueur totale	648 mm	675 mm
Poids net	11,4 kg	12,8 kg
Niveau de sécurité	 //	

CONSIGNES DE SÉCURITÉ POUR TRONÇONNEUSE POUR BÉTON

Consignes de sécurité communes aux travaux de tronçonnage abrasif :

- Cet outil électrique est conçu pour être utilisé en tant que outil de tronçonnage. Veuillez lire les consignes de sécurité, instructions, illustrations et spécifications qui accompagnent cet outil électrique.** Il y a risque de choc électrique, d'incendie et/ou de blessure grave si les instructions ci-dessous ne sont pas toutes respectées.
- Il est recommandé de ne pas effectuer de travaux de meulage, broissage métallique et polissage avec cet outil électrique.** Il y a risque de danger et de blessure si l'outil électrique est utilisé pour exécuter des travaux pour lesquels il n'a pas été conçu.
- N'utilisez pas d'accessoires non spécifiquement conçus et recommandés par le fabricant de l'outil.** Même s'il est possible de fixer un accessoire à l'outil électrique, cela ne garantit pas qu'il fonctionnera de manière sûre.
- La vitesse nominale de l'accessoire doit être au moins égale à la vitesse maximale indiquée sur l'outil électrique.** Les accessoires utilisés à une vitesse supérieure à leur vitesse nominale peuvent se casser et voler en éclats.
- Le diamètre extérieur et l'épaisseur de l'accessoire ne doivent pas dépasser la capacité nominale de l'outil électrique.** La maîtrise et la protection des accessoires de format incorrect ne peuvent être garantis.
- La taille de l'alésage des meules, flasques, semelles ou autres accessoires doit être bien adaptée à la taille de l'axe de l'outil électrique.** Un accessoire dont les alésages ne sont pas bien adaptés à la taille de la pièce où il est monté sur l'outil électrique se déséquilibrera, vibrera trop et pourra entraîner une perte de maîtrise de l'outil.

- Étant donné l'évolution constante de notre programme de recherche et de développement, les spécifications contenues dans ce manuel sont sujettes à modification sans préavis.
- Les spécifications peuvent varier suivant les pays.
- Poids selon la procédure EPTA 01/2003

Utilisations


L'outil est prévu pour la coupe de lignes dans les murs de béton ou pour la coupe de matériaux ferreux ou de canaux de canalisation en béton, au moyen d'un disque diamanté, sans utilisation d'eau.

Alimentation

L'outil ne devra être raccordé qu'à une alimentation de la même tension que celle qui figure sur la plaque signalétique, et il ne pourra fonctionner que sur un courant secteur monophasé. Réalisé avec une double isolation, il est conforme à la réglementation européenne et peut de ce fait être alimenté sans mise à la terre.

GEA010-1

Consignes de sécurité générales pour outils électriques

 MISE EN GARDE Veuillez lire toutes les mises en garde et toutes les instructions. Il y a risque de choc électrique, d'incendie et/ou de blessure grave si les mises en garde et les instructions ne sont pas respectées.

Conservez toutes les mises en garde et instructions pour référence ultérieure.

7. **N'utilisez jamais un accessoire endommagé.** Avant chaque utilisation, assurez-vous que la meule abrasive est exempte de copeaux et fissures, que la semelle n'est pas fissurée, déchirée ou trop usée, ou que la brosse métallique est exempte de fils métalliques lâches ou cassés. Si vous échappez l'outil électrique ou un accessoire, assurez-vous qu'il n'est pas endommagé et remplacez-le en cas de dommage. Après avoir vérifié et installé un accessoire, assurez-vous que personne, y compris vous-même, ne se trouve au même niveau que l'accessoire rotatif, et faites tourner l'outil électrique à vitesse maximale, sans charge, pendant une minute. Normalement l'accessoire se cassera lors de ce test s'il est endommagé.
 8. **Portez des dispositifs de protection personnelle.** Suivant le type de travail à effectuer, utilisez un écran facial, des lunettes étanches ou des lunettes de sécurité. Selon le cas, portez un masque antipoussières, des protecteurs d'oreilles, des gants ou un tablier de travail assurant une protection contre les petits éclats de disque abrasif ou de pièce. La protection des yeux doit pouvoir arrêter les débris éjectés lors des divers travaux. Le masque antipoussières ou le masque filtrant doit pouvoir filtrer les particules générées lors des travaux. L'exposition prolongée à un bruit d'intensité élevée peut entraîner la surdité.
 9. **Assurez-vous que les curieux demeurent à une distance sûre de la zone de travail.** Toute personne pénétrant dans la zone de travail doit porter des dispositifs de protection personnelle. Des fragments de pièce ou un accessoire cassé peuvent être éjectés et blesser les personnes présentes dans la zone de travail.
 10. **Saisissez l'outil électrique uniquement par ses surfaces de poigne isolées lorsque vous effectuez des travaux au cours desquels l'accessoire tranchant peut entrer en contact avec des fils cachés ou avec le cordon d'alimentation de l'outil.** Le contact de l'accessoire tranchant avec un fil sous tension peut également mettre sous tension les parties métalliques exposées de l'outil électrique, causant ainsi un choc électrique chez l'utilisateur.
 11. **Placez le cordon à l'écart de l'accessoire tournant.** Si vous perdez la maîtrise de l'outil, vous risquez de couper ou d'accrocher le cordon, et l'accessoire tournant risque de vous happer une main ou un bras.
 12. **Ne déposez jamais l'outil électrique avant que l'accessoire n'ait complètement cessé de tourner.** L'accessoire tournant risquerait d'accrocher la surface et d'entraîner une perte de maîtrise de l'outil électrique.
 13. **Ne laissez pas tourner l'outil électrique lorsque vous le transportez.** L'accessoire tournant risquerait d'entrer accidentellement en contact avec vos vêtements et d'être ensuite attiré vers votre corps.
 14. **Nettoyez régulièrement les orifices de ventilation de l'outil électrique.** Le ventilateur du moteur attire la poussière à l'intérieur du carter et l'accumulation excessive de poudre métallique peut causer un danger électrique.
 15. **N'utilisez pas l'outil électrique près des matériaux inflammables.** Les étincelles peuvent allumer ces matériaux.
 16. **N'utilisez pas d'accessoires pour lesquels l'utilisation d'un liquide de refroidissement est nécessaire.** L'utilisation d'eau ou d'un liquide de refroidissement comporte un risque d'électrocution ou de choc électrique.
- Mises en garde concernant les chocs en retour**
- Le choc en retour est une réaction soudaine qui survient lorsque la meule, la semelle, la brosse ou un autre accessoire en rotation se coince ou accroche. Lorsque l'accessoire en rotation se coince ou accroche, il s'arrête soudainement et l'utilisateur perd alors la maîtrise de l'outil électrique projeté dans le sens contraire de sa rotation au point où il se coince dans la pièce.
- Par exemple, si une meule abrasive accroche ou se coince dans la pièce, son tranchant risque d'y creuser la surface du matériau, avec pour conséquence que la meule remontera ou bondira. La meule risque alors de bondir vers l'utilisateur ou en sens opposé, suivant son sens de déplacement au point où elle se coince dans la pièce. Dans de telles situations, la meule abrasive risque aussi de casser.
- Le choc en retour est le résultat d'une mauvaise utilisation de l'outil électrique et/ou de procédures ou conditions inadéquates de travail. Il peut être évité en prenant les mesures appropriées, tel qu'indiqué ci-dessous.
- a) **Maintenez une poigne ferme sur l'outil électrique, et placez corps et bras de façon à assurer une bonne résistance aux forces de choc en retour.** Utilisez toujours la poignée auxiliaire lorsque cette dernière est disponible, pour assurer une maîtrise maximale de l'outil en cas de choc en retour ou de réaction de couple au moment du démarrage. L'utilisateur peut maîtriser l'effet de la réaction de couple ou du choc en retour s'il prend les précautions nécessaires.
 - b) **Ne placez jamais la main près d'un accessoire en rotation.** L'accessoire risquerait de passer sur la main en cas de choc en retour.
 - c) **Ne vous placez pas dans la zone vers laquelle l'outil électrique se déplacera en cas de choc en retour.** Le choc en retour projettera l'outil dans le sens opposé au mouvement de la meule au point où elle accroche dans la pièce.
 - d) **Soyez tout particulièrement prudent lorsque vous travaillez dans les coins, sur des bords tranchants, etc. Évitez de laisser l'accessoire bondir ou accrocher.** L'accessoire en rotation a tendance à accrocher, entraînant une perte de maîtrise ou un choc en retour, au contact des coins et des bords tranchants, ou lorsqu'il bondit.
 - e) **Ne fixez pas une lame de tronçonneuse ou une lame dentée.** De telles lames causent fréquemment des chocs en retour et des pertes de maîtrise.
- Consignes de sécurité spécifiques aux opérations de tronçonnage abrasif :**
- a) **Utilisez exclusivement les types de meule recommandés pour votre outil électrique, et le carter de meule conçu spécifiquement pour la meule sélectionnée.** L'utilisation de meules non conçues pour l'outil électrique est dangereuse car le carter de meule ne peut pas assurer une protection adéquate.

- b) Le carter de meule doit être solidement fixé à l'outil électrique et placé de façon à assurer une sécurité maximale en ne laissant qu'une partie minimale de la meule exposée du côté de l'utilisateur. Le carter de meule aide à protéger l'utilisateur contre les fragments d'une meule cassée et contre le contact accidentel avec la meule.
- c) Les meules doivent être utilisées exclusivement pour les applications recommandées. Par exemple : une meule tronçonneuse ne doit pas être utilisée pour le meulage latéral. Les meules tronçonneuses abrasives étant conçues pour le meulage périphérique, elles risquent de voler en éclats si on leur applique une force latérale.
- d) Utilisez toujours des flasques de meule en bon état, dont la taille et la forme correspondent à la meule sélectionnée. Des flasques de meule adéquats soutiennent la meule et réduisent ainsi les risques de rupture de la meule. Les flasques de meule tronçonneuse peuvent être différents des flasques de meule ordinaire.
- e) N'utilisez pas les meules usées d'outils électriques plus gros. Une meule conçue pour un outil électrique plus gros ne convient pas à l'utilisation à vitesse plus élevée sur un outil plus petit. Elle risquerait de voler en éclats.
- f) Soyez extrêmement prudent lorsque vous effectuez une coupe en cul-de-sac dans un mur ou toute autre surface derrière laquelle peuvent se trouver des objets cachés. La meule risquerait de couper des tuyaux de gaz ou d'eau, des fils électriques ou des objets pouvant causer un choc en retour.

Consignes de sécurité supplémentaires :

Consignes de sécurité supplémentaires et spécifiques aux travaux de tronçonnage abrasif :

- a) Évitez de « bloquer » la meule tronçonneuse ou de lui appliquer une pression excessive. N'essayez pas de faire une coupe de profondeur excessive. Il y a un risque de torsion ou de coincement de la meule dans la ligne de coupe si elle est soumise à une surcharge. Elle risque alors d'effectuer un choc en retour ou de casser.
- b) Ne vous placez pas directement derrière ou devant la meule en rotation. Lorsque la meule, au point d'opération, s'éloigne de votre corps, un choc en retour peut projeter la meule en rotation et l'outil électrique directement vers vous.
- c) Lorsque la meule se coince ou lorsque vous interrompez la coupe pour une raison quelconque, mettez l'outil électrique hors tension et gardez-le immobile jusqu'à ce que la meule cesse complètement de tourner. Ne tentez jamais de retirer la meule tronçonneuse de la ligne de coupe alors que la meule tourne encore, car il y a un risque de choc en retour. Identifiez la cause du coincement de la meule et éliminez-la.
- d) Ne reprenez pas la coupe en laissant la meule telle quelle dans la pièce. Attendez que la meule ait atteint sa pleine vitesse avant de la réintroduire soigneusement dans la ligne de coupe. Si vous redémarrez l'outil électrique alors qu'il se trouve encore dans la pièce à travailler, la meule risquera de se coincer, de remonter hors de la ligne de coupe ou de provoquer un choc en retour.
- e) Soutenez les panneaux ou pièces trop grandes pour minimiser les risques que la meule ne se coince et ne cause un choc en retour. Les grandes pièces ont tendance à s'affaisser sous leur propre poids. Des supports doivent être installés sous la pièce près de la ligne de coupe et près des bords de la pièce, des deux côtés de la meule.
- 17. Lors de l'utilisation des meules à moyeu déporté, assurez-vous d'utiliser exclusivement des meules renforcées de fibre de verre.
- 18. Prenez garde d'endommager l'axe, le flasque (tout particulièrement la surface par laquelle il s'installe) ou le contre-écrou. La meule risque de casser si ces pièces sont endommagées.
- 19. Assurez-vous que la meule n'entre pas en contact avec la pièce avant de mettre l'outil sous tension.
- 20. Avant d'utiliser l'outil sur la pièce à travailler, faites-le tourner un instant à vide. Soyez attentif à toute vibration ou sautellement pouvant indiquer que la meule n'est pas bien posée ou qu'elle est mal équilibrée.
- 21. Utilisez la face spécifiée de la meule pour meuler.
- 22. Prenez garde aux étincelles qui jaillissent. Tenez l'outil de sorte que les étincelles ne jaillissent pas vers vous, vers une personne présente ou vers un matériau inflammable.
- 23. Ne laissez pas tourner l'outil après l'utilisation. Ne faites fonctionner l'outil qu'une fois que vous l'avez bien en main.
- 24. Ne touchez pas la pièce immédiatement après avoir terminé le travail ; elle peut être très chaude et vous brûler la peau.
- 25. Assurez-vous toujours que l'outil est hors tension et débranché ou que sa batterie est retirée avant d'effectuer tout travail dessus.
- 26. Suivez les instructions du fabricant pour un montage adéquat et une utilisation appropriée des meules. Manipulez et rangez les meules soigneusement.
- 27. N'utilisez pas de bagues de réduction ou d'adaptateurs pour les meules de ponçage dont le trou central est grand.
- 28. N'utilisez que les flasques spécifiés pour cet outil.
- 29. Dans le cas des outils conçus pour les meules à trou fileté, assurez-vous que la longueur du filetage de la meule correspond à celle de l'axe.
- 30. Vérifiez que la pièce à travailler est adéquatement supportée.
- 31. N'oubliez pas que la meule continue de tourner une fois l'outil éteint.
- 32. Si le lieu de travail est extrêmement chaud et humide, ou fortement pollué de poussières conductrices, utilisez un disjoncteur (30 mA) pour assurer la sécurité de l'utilisateur.
- 33. N'utilisez l'outil avec aucun matériau contenant de l'amiante.
- 34. N'utilisez pas d'eau ou de lubrifiant à meulage.
- 35. Vérifiez que les ouvertures de ventilation sont dégagées lorsque vous travaillez dans des conditions poussiéreuses. S'il devient nécessaire de retirer la poussière accumulée, débranchez d'abord l'outil de l'alimentation secteur (utilisez un objet non métallique pour retirer la poussière), et prenez garde d'endommager les pièces internes.

36. Lorsque vous utilisez une meule tronçonneuse, travaillez toujours avec le carter de collecte des poussières exigé par la réglementation locale.
37. Aucune pression latérale ne doit être appliquée sur le disque pendant la coupe.

CONSERVEZ CES INSTRUCTIONS.

AVERTISSEMENT :

NE vous laissez PAS tromper (avec l'usage répété) par un sentiment de confort ou de familiarité avec l'outil, au point de ne pas respecter rigoureusement les consignes de sécurité qui accompagnent l'outil. LA MAUVAISE UTILISATION de l'outil ou l'ignorance des consignes de sécurité du présent manuel d'instructions peuvent entraîner une grave blessure.

DESCRIPTION DU FONCTIONNEMENT

ATTENTION :

- Assurez-vous toujours que l'outil est hors tension et débranché avant de l'ajuster ou de vérifier son fonctionnement.

Réglage de la profondeur de coupe (Fig. 1)

Desserrez le boulon à oreilles sur le guide de profondeur et déplacez l'embase vers le haut ou vers le bas. Une fois atteinte la profondeur de coupe désirée, assurez l'embase en place en serrant le boulon à oreilles.

Lorsque vous réglez la profondeur sur la valeur maximale, et dans ce cas uniquement, vous devez toujours effectuer le réglage de la profondeur après avoir réglé le carter de disque.

Fixation du carter de disque (Fig. 2)

ATTENTION :

- Le carter de disque doit être placé sur l'outil de sorte que la partie du disque qui se trouve du côté de l'utilisateur soit recouverte.

Après avoir desserré l'écrou de serrage, vous pouvez ajuster le carter de disque sur une plage d'environ 80 degrés. Ajustez le carter sur l'angle désiré, puis serrez l'écrou de serrage.

Interrupteur (Fig. 3)

ATTENTION :

- Avant de brancher l'outil, vérifiez toujours que la gâchette fonctionne correctement et revient en position d'arrêt une fois relâchée.

Pour les outils équipés d'un commutateur de verrouillage

Pour mettre l'outil en marche, appuyez simplement sur la gâchette (sens A). Pour l'arrêter, relâchez la gâchette. Pour un fonctionnement continu, appuyez sur la gâchette (sens A) puis enfoncez le levier de verrouillage (sens B). Pour arrêter l'outil alors qu'il est en position verrouillée, appuyez à fond sur la gâchette (sens A) puis relâchez-la.

Pour les outils équipés d'un commutateur de sécurité

L'outil est doté d'un levier de verrouillage pour éviter toute pression accidentelle sur la gâchette.

Pour faire démarrer l'outil, enfoncez le levier de verrouillage (sens B) puis appuyez sur la gâchette (sens A). Pour arrêter l'outil, relâchez la gâchette.

Pour les outils équipés d'un commutateur de verrouillage et de sécurité

L'outil est doté d'un levier de verrouillage pour éviter toute pression accidentelle sur la gâchette.

Pour faire démarrer l'outil, enfoncez le levier de verrouillage (sens B) puis appuyez sur la gâchette (sens A). Pour arrêter l'outil, relâchez la gâchette.

Pour un fonctionnement continu, enfoncez le levier de verrouillage (sens B), appuyez sur la gâchette (sens A) puis enfoncez davantage le levier de verrouillage (sens B).

Pour arrêter l'outil alors qu'il est en position verrouillée, appuyez à fond sur la gâchette (sens A) puis relâchez-la.

ASSEMBLAGE

ATTENTION :

- Assurez-vous toujours que l'outil est hors tension et débranché avant d'effectuer tout travail dessus.

Installation et retrait du disque (Fig. 4 et 5)

Pour retirer le disque, appuyez sur le blocage de l'arbre pour empêcher ce dernier de tourner, puis desserrez le boulon hexagonal avec la clé à douille, en tournant dans le sens des aiguilles d'une montre.

Pour installer un disque, placez le flasque en orientant sa face partiellement élevée vers l'outil, puis placez l'anneau avant d'installer un disque sur l'axe (arbre) puis l'autre flasque, en orientant sa face élevée vers l'extérieur.

Après avoir monté le nouveau disque, vous devez serrer à fond le boulon hexagonal en sens inverse des aiguilles d'une montre, sinon l'utilisation de l'outil sera dangereuse.

ATTENTION :

- Ne vous servez que de la clé Dolmar pour installer ou retirer le disque.

UTILISATION

ATTENTION :

Vous devez tirer sur l'outil pour procéder à la coupe de la pièce.

- Utilisez cet outil uniquement pour les coupes rectilignes. La coupe de courbes peut causer des fissures de contrainte ou le morcellement du disque diamant et du disque à tronçonner abrasif qui risqueraient de blesser les personnes qui se trouvent à proximité.
- Après l'utilisation, mettez toujours l'outil hors tension et attendez l'arrêt complet de la meule avant de déposer l'outil.
- Lorsque vous coupez des blocs de béton, des carreaux ou des matériaux de maçonnerie, la profondeur de coupe ne doit pas être supérieure à 60 mm. Pour couper une pièce d'une profondeur située entre 60 mm et 100 mm, vous devez faire deux passes. La plus grande efficacité de coupe est obtenue avec des passes d'une profondeur d'environ 40 mm.

Tenez votre outil fermement à deux mains. En vous assurant d'abord que le disque n'entre aucunement en contact avec la pièce à couper, allumez l'outil et attendez qu'il ait atteint sa pleine vitesse.

La coupe s'effectue en tirant l'outil vers soi (et non en poussant en sens inverse). Pour effectuer une coupe, alignez l'entaille de l'embase sur votre ligne de coupe.

Eteignez l'outil après l'avoir immobilisé lorsque vous avez terminé la coupe. Ne soulevez l'outil qu'une fois la rotation du disque parfaitement arrêtée. (Fig. 6)

ENTRETIEN

ATTENTION :

- Assurez-vous toujours que l'outil est hors tension et débranché avant d'y effectuer tout travail d'inspection ou d'entretien.
- N'utilisez jamais d'essence, benzine, diluant, alcool ou autre produit similaire. Cela risquerait de provoquer la décoloration, la déformation ou la fissuration de l'outil.

Rectification du disque diamant

Si la capacité de coupe du disque diamanté commence à diminuer, utilisez un vieux touret à gros grain ou un bloc en béton pour dresser le disque diamanté. Fixez solidement le touret ou le bloc en béton et coupez dedans.

Remplacement des charbons (Fig. 7 et 8)

Lorsque le bout isolateur en résine qui se trouve à l'intérieur du charbon entre en contact avec le commutateur, il coupe automatiquement l'alimentation du moteur. Lorsque cela se produit, les deux charbons doivent être changés. Maintenez les charbons propres et en état de glisser aisément dans les porte-charbon. Les deux charbons doivent être remplacés en même temps. N'utilisez que des charbons identiques.

Soulevez légèrement une extrémité du capuchon anti-poussière avec les mains pour faire sortir le bouchon de porte-charbon.

Utilisez un tournevis pour retirer les bouchons de porte-charbon. Enlevez les charbons usés, insérez-en de nouveaux et revissez solidement les bouchons de porte-charbon.

Pour maintenir la SÉCURITÉ et la FIABILITÉ du produit, les réparations, l'inspection et le remplacement des charbons, et tout autre travail d'entretien ou de réglage doivent être effectués dans un centre de service Dolmar agréé ou un centre de service de l'usine Dolmar, exclusivement avec des pièces de rechange Dolmar.

ACCESSOIRES EN OPTION

ATTENTION :

- Les accessoires ou pièces supplémentaires qui suivent sont recommandés pour l'utilisation avec l'outil Dolmar spécifié dans ce manuel. L'utilisation de tout autre accessoire ou pièce supplémentaire peut comporter un risque de blessure. Utilisez uniquement l'accessoire ou la pièce supplémentaire dans le but spécifié.

Pour obtenir plus de détails sur ces accessoires, contactez votre Centre d'Entretien local Dolmar.

- Disques diamant (Type sec)
- Disques à tronçonner abrasifs
- Clé à douille 17
- Lunettes de sécurité
- Anneau 20
- Coude de raccord

Raccordement à l'aspirateur (Fig. 9)

Si vous désirez effectuer un travail plus propre, raccordez un aspirateur à votre outil. Utilisez un coude de raccord (accessoire) pour fixer le tuyau de l'aspirateur au raccord à poussières.

NOTE :

- Il se peut que certains éléments de la liste soient compris dans l'emballage de l'outil en tant qu'accessoires standard. Ils peuvent varier d'un pays à l'autre.

Bruit

Niveau de bruit pondéré A typique, déterminé selon EN60745 :

Pour modèle EC-2412

Niveau de pression sonore (L_{pA}) : 101 dB (A)
Niveau de puissance sonore (L_{WA}) : 112 dB (A)
Incertitude (K) : 3 dB (A)

Pour modèle EC-2414

Niveau de pression sonore (L_{pA}) : 103 dB (A)
Niveau de puissance sonore (L_{WA}) : 114 dB (A)
Incertitude (K) : 3 dB (A)

Porter des protecteurs anti-bruit

ENG229-2

Vibrations

Valeur totale de vibrations (somme de vecteur triaxial) déterminée selon EN60745 :

Pour modèle EC-2412

Mode de travail : coupe du béton
Émission de vibrations (a_h) : 2,5 m/s²
Incertitude (K) : 1,5 m/s²

Pour modèle EC-2414

Mode de travail : coupe du béton
Émission de vibrations (a_h) : 3,0 m/s²
Incertitude (K) : 1,5 m/s²

ENG901-1

- La valeur d'émission de vibrations déclarée a été mesurée conformément à la méthode de test standard et peut être utilisée pour comparer les outils entre eux.
- La valeur d'émission de vibrations déclarée peut aussi être utilisée pour l'évaluation préliminaire de l'exposition.

AVERTISSEMENT :

- L'émission de vibrations lors de l'usage réel de l'outil électrique peut être différente de la valeur d'émission déclarée, suivant la façon dont l'outil est utilisé.
- Les mesures de sécurité à prendre pour protéger l'utilisateur doivent être basées sur une estimation de l'exposition dans des conditions réelles d'utilisation (en tenant compte de toutes les composantes du cycle d'utilisation, comme par exemple le moment de sa mise hors tension, lorsqu'il tourne à vide et le moment de son déclenchement).

Pour les pays d'Europe uniquement

Déclaration de conformité CE

Les soussignés, Tamiro Kishima et Rainer Bergfeld, tel qu'autorisés par Dolmar GmbH, déclarent que le(s) machine(s) Dolmar suivante(s) :

Désignation de la machine : Tronçonneuse pour béton

N° de modèle / Type : EC-2412, EC-2414

sont produites en série et

sont conformes aux Directives européennes suivantes :

2006/42/CE

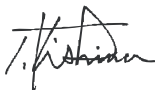
et qu'elles sont fabriquées conformément aux normes ou documents normalisés suivants :

EN60745

La documentation technique se trouve sur fichier à l'adresse suivante :

Dolmar GmbH,
Jenfelder Straße 38, Abteilung FZ,
D-22045 Hamburg

30.1.2009



Tamiro Kishima
Président directeur




Rainer Bergfeld
Président directeur

Übersicht

- | | | |
|----------------------|----------------------|-----------------------|
| 1 Flügelschraube | 10 Flansch | 19 Kohlebürste |
| 2 Grundplatte | 11 Ring | 20 Staubabdeckung |
| 3 Schnitttiefe | 12 Trennscheibe | 21 Schraubendreher |
| 4 Knebelmutter | 13 Flansch | 22 Bürstenhalterkappe |
| 5 Schutzhaube | 14 Sechskantschraube | 23 Absaugstutzen |
| 6 Ein-Aus-Schalter | 15 Kerbe | 24 Knierohr |
| 7 Arretierhebel | 16 Schnittlinie | 25 Schlauch |
| 8 Spindelarretierung | 17 Kollektor | |
| 9 Steckschlüssel | 18 Isolierspitze | |

TECHNISCHE DATEN

GEB042-2

Modell	EC-2412	EC-2414
Trennscheibendurchmesser	305 mm	355 mm
Maximale Schnitttiefe	100 mm	125 mm
Leerlaufdrehzahl (min ⁻¹)	5 000	3 500
Gesamtlänge	648 mm	675 mm
Nettogewicht	11,4 kg	12,8 kg
Sicherheitsklasse	 /II	

- Wir behalten uns vor, Änderungen im Zuge der Entwicklung und des technischen Fortschritts ohne vorherige Ankündigung vorzunehmen.
- Die technischen Daten können von Land zu Land abweichen.
- Gewicht nach EPTA-Verfahren 01/2003

Vorgesehene Verwendung

Diese Maschine ist für trockenes Schneiden von Rillen in Betonwände sowie das Schneiden von Eisenmaterial oder Entwässerungsrinnen aus Beton mit Diamantscheibe vorgesehen.

Netzanschluss

Die Maschine darf nur an die auf dem Typenschild angegebene Netzspannung angeschlossen werden und arbeitet nur mit Einphasen- Wechselspannung. Sie ist entsprechend den Europäischen Richtlinien doppelt schutzisoliert und kann daher auch an Steckdosen ohne Erdanschluss betrieben werden.

GEA010-1

Allgemeine Sicherheitswarnungen für Elektrowerkzeuge

⚠️ WARNUNG Lesen Sie alle Sicherheitswarnungen und Anweisungen durch. Eine Missachtung der unten aufgeführten Warnungen und Anweisungen kann zu einem elektrischen Schlag, Brand und/oder schweren Verletzungen führen.

Bewahren Sie alle Warnungen und Anweisungen für spätere Bezugnahme auf.

SICHERHEITSWARNUNGEN FÜR TRENSCHLEIFER

Allgemeine Sicherheitswarnungen für Trennschleifbetrieb:

- Dieses Elektrowerkzeug ist für Trennschleifen vorgesehen. Lesen Sie alle mit diesem Elektrowerkzeug gelieferten Sicherheitswarnungen, Anweisungen, Abbildungen und technischen Daten durch.** Eine Missachtung der unten aufgeführten Anweisungen kann zu einem elektrischen Schlag, Brand und/oder schweren Verletzungen führen.
- Arbeiten, wie Schleifen, Drahtbürsten oder Polieren, sind mit diesem Elektrowerkzeug nicht zu empfehlen.** Benutzungsweisen, für die das Elektrowerkzeug nicht ausgelegt ist, können Gefahren erzeugen und Verletzungen verursachen.
- Verwenden Sie kein Zubehör, das nicht speziell vom Werkzeughersteller vorgesehen ist und empfohlen wird.** Die bloße Tatsache, dass ein Zubehörteil an Ihrem Elektrowerkzeug angebracht werden kann, gewährleistet noch keinen sicheren Betrieb.
- Die Nenndrehzahl des Zubehörteils muss mindestens der am Elektrowerkzeug angegebenen Maximaldrehzahl entsprechen.** Zubehörteile, die schneller als ihre Nenndrehzahl rotieren, können bersten und auseinander fliegen.
- Außendurchmesser und Dicke des Zubehörteils müssen innerhalb der Kapazitätsgrenzen Ihres Elektrowerkzeugs liegen.** Zubehörteile der falschen Größe können nicht angemessen geschützt oder kontrolliert werden.
- Die Wellengröße von Schleifscheiben, Flanschen, Schleiftellern oder anderen Zubehörteilen muss genau der Spindelgröße des Elektrowerkzeugs entsprechen.** Zubehörteile, deren Spindelbohrung nicht genau auf den Montageflansch des Elektrowerkzeugs passt, laufen unrund, vibrieren übermäßig und können einen Verlust der Kontrolle verursachen.

7. **Verwenden Sie keine beschädigten Zubehörteile. Überprüfen Sie die Zubehörteile vor jedem Gebrauch:** z. B. Schleifscheiben auf Absplittierungen und Risse, Schleifteller auf Risse, Brüche oder übermäßigen Verschleiß, Drahtbürsten auf lose oder rissige Drähte. Falls das Elektrowerkzeug oder das Zubehörteil herunterfällt, überprüfen Sie es auf Beschädigung, oder montieren Sie ein unbeschädigtes Zubehörteil. Achten Sie nach der Überprüfung und Installation eines Zubehörteils darauf, dass Sie selbst und Umstehende nicht in der Rotationsenebene des Zubehörteils stehen, und lassen Sie das Elektrowerkzeug eine Minute lang mit maximaler Leerlaufdrehzahl laufen. Ein beschädigtes Zubehörteil bricht normalerweise während dieses Probelaufs auseinander.
 8. **Tragen Sie Schutzausrüstung. Benutzen Sie je nach der Arbeit einen Gesichtsschutz bzw. eine Sicherheits- oder Schutzbrille. Tragen Sie bei Bedarf eine Staubmaske, Ohrenschützer, Handschuhe und eine Arbeitsschürze, die in der Lage ist, kleine Schleifpartikel oder Werkstücksplitter abzuwehren.** Der Augenschutz muss in der Lage sein, den bei verschiedenen Arbeiten anfallenden Flugstaub abzuwehren. Die Staubmaske oder Atemschutzmaske muss in der Lage sein, durch die Arbeit erzeugte Partikel herauszufiltern. Lang anhaltende Lärmbelastung kann zu Gehörschäden führen.
 9. **Halten Sie Umstehende in sicherem Abstand vom Arbeitsbereich. Jeder, der den Arbeitsbereich betritt, muss Schutzausrüstung tragen.** Bruchstücke des Werkstücks oder eines beschädigten Zubehörteils können weggeschleudert werden und Verletzungen über den unmittelbaren Arbeitsbereich hinaus verursachen.
 10. **Halten Sie das Elektrowerkzeug nur an den isolierten Griffflächen, wenn Sie Arbeiten ausführen, bei denen die Gefahr besteht, dass verborgene Kabel oder das eigene Kabel kontaktiert werden.** Bei Kontakt mit einem Strom führenden Kabel werden die freiliegenden Metallteile des Elektrowerkzeugs ebenfalls Strom führend, so dass der Benutzer einen elektrischen Schlag erleiden kann.
 11. **Halten Sie das Kabel vom rotierenden Zubehörteil fern.** Falls Sie die Kontrolle verlieren, kann das Kabel durchgetrennt oder erfasst werden, so dass Ihre Hand oder Ihr Arm in das rotierende Zubehörteil hineingezogen wird.
 12. **Legen Sie das Elektrowerkzeug erst ab, nachdem das Zubehörteil zum vollständigen Stillstand gekommen ist.** Anderenfalls kann das rotierende Zubehörteil die Oberfläche erfassen und das Elektrowerkzeug aus Ihren Händen reißen.
 13. **Lassen Sie das Elektrowerkzeug nicht laufen, während Sie es an Ihrer Seite tragen.** Das rotierende Zubehörteil könnte sonst bei versehentlichem Kontakt Ihre Kleidung erfassen und auf Ihren Körper zu gezogen werden.
 14. **Reinigen Sie die Ventilationsöffnungen des Elektrowerkzeugs regelmäßig.** Der Lüfter des Motors saugt Staub in das Gehäuse an, und starke Ablagerungen von Metallstaub können elektrische Gefahren verursachen.
 15. **Betreiben Sie das Elektrowerkzeug nicht in der Nähe von brennbaren Materialien.** Funken könnten diese Materialien entzünden.
 16. **Verwenden Sie keine Zubehörteile, die Kühlfüssigkeiten erfordern.** Die Verwendung von Wasser oder anderen Kühlfüssigkeiten kann zu einem Stromschlag führen.
- Warnungen vor Rückschlag und damit zusammenhängenden Gefahren**
- Ein Rückschlag ist eine plötzliche Reaktion auf Klemmen oder Hängenbleiben der Schleifscheibe, des Schleiftellers, der Drahtbürste oder eines anderen Zubehörteils. Klemmen oder Hängenbleiben verursacht sofortiges Stocken des rotierenden Zubehörteils, was wiederum dazu führt, dass das außer Kontrolle geratene Elektrowerkzeug am Stockpunkt in die entgegengesetzte Drehrichtung des Zubehörts geschleudert wird.
- Wenn beispielsweise eine Schleifscheibe vom Werkstück erfasst oder eingeklemmt wird, kann sich die in den Klammepunkt eindringende Schleifscheibenkante in die Materialoberfläche bohren, so dass sie herauspringt oder zurückschlägt. Je nach der Drehrichtung der Schleifscheibe am Klammepunkt kann die Schleifscheibe auf die Bedienungsperson zu oder von ihr weg springen. Schleifscheiben können unter solchen Bedingungen auch brechen.
- Rückschlag ist das Resultat falscher Handhabung des Elektrowerkzeugs und/oder falscher Arbeitsverfahren oder -bedingungen und kann durch Anwendung der nachstehenden Vorsichtsmaßnahmen vermieden werden.
- a) **Halten Sie das Elektrowerkzeug mit festem Griff, und positionieren Sie Ihren Körper und Arm so, dass Sie die Rückschlagkräfte auffangen können. Benutzen Sie stets den Zusatzgriff, wenn vorhanden, um maximale Kontrolle über Rückschlag oder Drehbewegungen während des Anlaufs zu haben.** Drehbewegungen oder Rückschlagkräfte können kontrolliert werden, wenn entsprechende Vorkehrungen getroffen werden.
 - b) **Halten Sie Ihre Hand niemals in die Nähe des rotierenden Zubehörteils.** Bei einem Rückschlag könnte das Zubehörteil Ihre Hand verletzen.
 - c) **Stellen Sie sich nicht in den Bereich, in den das Elektrowerkzeug bei Auftreten eines Rückschlags geschleudert wird.** Der Rückschlag schleudert die Maschine am Stockpunkt in die entgegengesetzte Drehrichtung der Schleifscheibe.
 - d) **Lassen Sie beim Bearbeiten von Ecken und scharfen Kanten usw. besondere Vorsicht walten. Vermeiden Sie Anstoßen und Verhaken des Zubehörteils.** Ecken, scharfe Kanten oder Anstoßen führen leicht zu Hängenbleiben des rotierenden Zubehörteils und verursachen Verlust der Kontrolle oder Rückschlag.
 - e) **Montieren Sie keine Sägeketten, Holzfräsen oder gezahnte Sägeblätter.** Solche Zubehörteile verursachen häufige Rückschläge und Verlust der Kontrolle.

Sicherheitswarnungen speziell für Trennschleifbetrieb:

- a) **Verwenden Sie nur Schleifscheiben, die für Ihr Elektrowerkzeug empfohlen werden, und die für die ausgewählte Schleifscheibe vorgesehene Schutzhaube.** Schleifscheiben, die nicht für das Elektrowerkzeug geeignet sind, können nicht angemessen abgeschirmt werden und sind unsicher.
- b) **Die Schutzhaube muss sicher am Elektrowerkzeug befestigt und für maximale Sicherheit positioniert werden, um den auf die Bedienungsperson gerichteten Schleifscheibenbetrag minimal zu halten.** Die Schutzhaube schützt den Bediener vor Schleifscheiben-Bruchstücken und versehentlichem Kontakt mit der Schleifscheibe.
- c) **Schleifscheiben dürfen nur für empfohlene Anwendungen eingesetzt werden. Zum Beispiel: Nicht mit der Seite einer Trennscheibe schleifen.** Trennscheiben sind für Peripherieschleifen vorgesehen. Falls seitliche Kräfte auf diese Scheiben einwirken, können sie zerbrechen.
- d) **Verwenden Sie stets unbeschädigte Scheibenflansche der korrekten Größe und Form für die ausgewählte Schleifscheibe.** Korrekte Scheibenflansche stützen die Schleifscheibe und reduzieren somit die Möglichkeit eines Scheibenbruchs. Flansche für Trennscheiben können sich von solchen für Schleifscheiben unterscheiden.
- e) **Verwenden Sie keine abgenutzten Schleifscheiben von größeren Elektrowerkzeugen.** Schleifscheiben für größere Elektrowerkzeuge eignen sich nicht für die höhere Drehzahl einer kleineren Maschine und können bersten.

Zusätzliche Sicherheitswarnungen speziell für Trennschleifbetrieb:

- a) **Vermeiden Sie „Verkanten“ der Trennscheibe oder die Ausübung übermäßigen Drucks. Versuchen Sie nicht, übermäßig tiefe Schnitte zu machen.** Überbeanspruchung der Schleifscheibe erhöht die Belastung und die Empfänglichkeit für Verdrehen oder Klemmen der Schleifscheibe im Schnitt sowie die Möglichkeit von Rückschlag oder Scheibenbruch.
- b) **Stellen Sie sich nicht so, dass sich Ihr Körper in einer Linie mit der rotierenden Schleifscheibe oder hinter dieser befindet.** Wenn sich die Schleifscheibe am Arbeitspunkt von Ihrem Körper weg bewegt, kann ein möglicher Rückschlag die rotierende Schleifscheibe und das Elektrowerkzeug direkt auf Sie zu schleudern.
- c) **Falls die Schleifscheibe klemmt oder der Schnitt aus irgendeinem Grund unterbrochen wird, schalten Sie das Elektrowerkzeug aus und halten Sie es bewegungslos im Werkstück, bis die Schleifscheibe zum völligen Stillstand kommt. Versuchen Sie auf keinen Fall, die rotierende Trennscheibe aus dem Schnitt zu entfernen, weil sonst ein Rückschlag auftreten kann.** Nehmen Sie eine Überprüfung vor, und treffen Sie Abhilfemaßnahmen, um die Ursache von Schleifscheiben-Klemmen zu beseitigen.

- d) **Setzen Sie den Schnittbetrieb nicht mit im Werkstück sitzender Trennscheibe fort. Führen Sie die Trennscheibe vorsichtig in den Schnitt ein, nachdem sie die volle Drehzahl erreicht hat.** Wird das Elektrowerkzeug mit im Werkstück sitzender Trennscheibe eingeschaltet, kann die Trennscheibe klemmen, hochsteigen oder zurückschlagen.
- e) **Stützen Sie Platten oder andere übergroße Werkstücke ab, um die Gefahr von Klemmen oder Rückschlag der Trennscheibe zu minimieren.** Große Werkstücke neigen dazu, unter ihrem Eigengewicht durchzuhängen. Die Stützen müssen beidseitig der Trennscheibe nahe der Schnittlinie und in der Nähe der Werkstückkante unter das Werkstück platziert werden.
- f) **Lassen Sie besondere Vorsicht walten, wenn Sie einen „Taschenschnitt“ in bestehende Wände oder andere Blindflächen durchführen.** Die vorstehende Trennscheibe kann Gas- oder Wasserleitungen, Stromkabel oder Objekte durchschneiden, die Rückschlag verursachen können.

Zusätzliche Sicherheitswarnungen:

- 17. **Verwenden Sie nur glasfaserverstärkte Scheiben als gekröpfte Trennschleifscheiben.**
- 18. **Achten Sie sorgfältig darauf, dass Spindel, Flansch (insbesondere die Ansatzfläche) und Sicherungsmutter nicht beschädigt werden. Eine Beschädigung dieser Teile kann zu einem Scheibenbruch führen.**
- 19. **Vergewissern Sie sich vor dem Einschalten der Maschine, dass die Schleifscheibe nicht das Werkstück berührt.**
- 20. **Lassen Sie die Maschine vor der eigentlichen Bearbeitung eines Werkstücks eine Weile laufen. Achten Sie auf Vibrationen oder Taumelbewegungen, die Anzeichen für schlechte Montage oder eine schlecht ausgewuchtete Schleifscheibe sein können.**
- 21. **Verwenden Sie nur die vorgeschriebene Fläche der Schleifscheibe für Schleifarbeiten.**
- 22. **Nehmen Sie sich vor Funkenflug in Acht. Halten Sie die Maschine so, dass Sie und andere Personen oder leicht entzündliche Materialien nicht von den Funken getroffen werden.**
- 23. **Lassen Sie die Maschine nicht unbeaufsichtigt laufen. Benutzen Sie die Maschine nur mit Handhaltung.**
- 24. **Vermeiden Sie eine Berührung des Werkstücks unmittelbar nach der Bearbeitung, weil es dann noch sehr heiß ist und Hautverbrennungen verursachen kann.**
- 25. **Vergewissern Sie sich vor der Ausführung von Arbeiten an der Maschine stets, dass die Maschine ausgeschaltet und vom Stromnetz getrennt bzw. der Akku abgenommen ist.**
- 26. **Befolgen Sie die Anweisungen des Herstellers für korrekte Montage und Verwendung von Schleifscheiben. Behandeln und lagern Sie Schleifscheiben mit Sorgfalt.**
- 27. **Verwenden Sie keine getrennten Reduzierbuchsen oder Adapter zur Anpassung von Schleifscheiben mit großem Lochdurchmesser.**
- 28. **Verwenden Sie nur die für diese Maschine vorgeschriebenen Flansche.**
- 29. **Wenn eine Trennscheibe mit Gewindebohrung an der Maschine montiert werden soll, achten Sie darauf, dass ihr Gewinde tief genug für die Spindellänge ist.**

30. Vergewissern Sie sich, dass das Werkstück sicher abgestützt ist.
31. Beachten Sie, dass sich die Schleifscheibe nach dem Ausschalten der Maschine noch weiterdreht.
32. Falls der Arbeitsplatz sehr heiß, feucht oder durch leitfähigen Staub stark verschmutzt ist, verwenden Sie einen Kurzschlusschalter (30 mA) zum Schutz des Bedieners.
33. Verwenden Sie diese Maschine nicht zum Schneiden von asbesthaltigen Materialien.
34. Verwenden Sie kein Wasser oder Schleiföl.
35. Achten Sie beim Arbeiten unter staubigen Bedingungen darauf, dass die Ventilationsöffnungen frei gehalten werden. Sollte die Beseitigung von Staub notwendig sein, trennen Sie das Werkzeug zuerst vom Stromnetz (nichtmetallische Gegenstände verwenden), und vermeiden Sie eine Beschädigung der Innenteile.
36. Verwenden Sie bei Arbeiten mit der Trennscheibe immer eine gesetzlich vorgeschriebene Staubsammelhaube.
37. Trennscheiben dürfen keinem seitlichen Druck ausgesetzt werden.

BEWAHREN SIE DIESE HINWEISE SORGFÄLTIG AUF.

WARNUNG:

Lassen Sie sich NICHT durch Bequemlichkeit oder Vertrautheit mit dem Produkt (durch wiederholten Gebrauch erworben) von der strikten Einhaltung der Sicherheitsregeln für das vorliegende Produkt abhalten. MISSBRAUCH oder Missachtung der Sicherheitsvorschriften in dieser Anleitung können schwere Verletzungen verursachen.

FUNKTIONSBESCHREIBUNG

VORSICHT:

- Vergewissern Sie sich vor jeder Einstellung oder Funktionsprüfung der Maschine stets, dass sie ausgeschaltet und vom Stromnetz getrennt ist.

Einstellen der Schnitttiefe (Abb. 1)

Lösen Sie die Flügelschraube an der Tiefenführung, und ziehen Sie die Grundplatte nach oben oder unten. Arretieren Sie die Grundplatte an der gewünschten Schnitttiefe durch Festziehen der Flügelschraube.

Zum Einstellen der maximalen Schnitttiefe stellen Sie grundsätzlich erst die Schutzhaube ein, bevor Sie die Tiefeneinstellung vornehmen.

Befestigen der Schutzhaube (Abb. 2)

VORSICHT:

- Die Schutzhaube muss so an der Maschine eingestellt werden, dass ihre geschlossene Seite immer zur Bedienungsperson gerichtet ist.

Die Schutzhaube kann nach dem Lösen der Knebelmutter um maximal 80 Grad verstellt werden. Den gewünschten Winkel einstellen, und dann die Knebelmutter anziehen.

Schalterbedienung (Abb. 3)

VORSICHT:

- Vergewissern Sie sich vor dem Anschließen der Maschine an das Stromnetz stets, dass der Ein-Aus-Schalter ordnungsgemäß funktioniert und beim Loslassen in die AUS-Stellung zurückkehrt.

Für Maschine mit Einschaltsperr

Zum Einschalten der Maschine einfach den Ein-Aus-Schalter drücken (Richtung A). Zum Ausschalten den Ein-Aus-Schalter loslassen.

Für Dauerbetrieb den Ein-Aus-Schalter betätigen (Richtung A), und dann die Sperre hineindrücken (Richtung B).

Zum Ausrasten der Sperre den Ein-Aus-Schalter bis zum Anschlag hineindrücken (Richtung A) und dann loslassen.

Für Maschine mit Ausschaltsperr

Um versehentliche Betätigung des Ein-Aus-Schalters zu verhüten, ist die Maschine mit einer Sperre ausgestattet. Zum Einschalten der Maschine muss erst die Sperre hineingedrückt werden (Richtung B), bevor der Ein-Aus-Schalter betätigt werden kann (Richtung A). Zum Ausschalten den Ein-Aus-Schalter loslassen.

Für Maschine mit Ein- und Ausschaltsperr

Um versehentliche Betätigung des Ein-Aus-Schalters zu verhüten, ist die Maschine mit einer Sperre ausgestattet. Zum Einschalten der Maschine muss erst die Sperre hineingedrückt werden (Richtung B), bevor der Ein-Aus-Schalter betätigt werden kann (Richtung A). Zum Ausschalten den Ein-Aus-Schalter loslassen.

Für Dauerbetrieb die Sperre hineindrücken (Richtung B), den Ein-Aus-Schalter betätigen (Richtung A), und dann die Sperre weiter hineindrücken (Richtung B).

Zum Ausrasten der Sperre den Ein-Aus-Schalter bis zum Anschlag hineindrücken (Richtung A) und dann loslassen.

MONTAGE

VORSICHT:

- Vergewissern Sie sich vor der Ausführung von Arbeiten an der Maschine stets, dass sie ausgeschaltet und vom Stromnetz getrennt ist.

Montage und Demontage der Trennscheibe (Abb. 4 und 5)

Zur Demontage der Trennscheibe die Spindelarretierung drücken, um die Spindel zu blockieren, und die Sechskantschraube durch Rechtsdrehung des Steckschlüssels lösen.

Zum Montieren der Trennscheibe den ersten Flansch so anbringen, dass die Seite mit dem Vorsprung zur Maschine gerichtet ist, dann den Ring und die Trennscheibe auf die Spindel (Welle) schieben und einen zweiten Flansch mit nach außen weisendem Vorsprung anbringen.

Ziehen Sie die Sechskantschraube nach der Montage der neuen Trennscheibe vorschriftsmäßig entgegen dem Uhrzeigersinn an, um gefährlichen Betrieb zu verhüten.

VORSICHT:

- Verwenden Sie nur den mitgelieferten Dolmar-Steckschlüssel zum Montieren und Demontieren von Trennscheiben.

BETRIEB

VORSICHT:

Ziehen Sie die Maschine beim Schneiden eines Werkstücks.

- Verwenden Sie diese Maschine nur für geradlinige Schnitte. Das Schneiden von Kurven kann Spannungsrisse oder Zersplitterung der Diamantscheibe und Trennscheibe verursachen, was zu möglicher Verletzung umstehender Personen führen kann.
- Schalten Sie die Maschine nach der Arbeit stets aus, und warten Sie, bis die Trennscheibe zum völligen Stillstand gekommen ist, bevor Sie die Maschine ablegen.
- Achten Sie beim Schneiden von Betonblöcken, Fliesen oder Mauerwerk darauf, dass die Schnitttiefe 60 mm nicht überschreitet. Wenn Sie ein Werkstück einer Dicke von 60 bis 100 mm schneiden müssen, schneiden Sie in mehr als zwei Durchgängen. Die effizienteste Schnitttiefe beträgt etwa 40 mm.

Halten Sie die Maschine mit beiden Händen fest. Achten Sie darauf, dass die Trennscheibe anfangs keinen Kontakt mit dem zu schneidenden Werkstück hat. Schalten Sie dann die Maschine ein und warten Sie, bis die Trennscheibe die volle Drehzahl erreicht hat.

Der Schnitt wird ausgeführt, indem Sie die Maschine auf sich zu ziehen (nicht von sich weg drücken). Zur Durchführung eines Schnitts richten Sie die Kerbe am Gleitschuh auf die Schnittlinie aus.

Schalten Sie die Maschine in der Position aus, in der sie sich nach der Ausführung eines Schnitts befindet. Heben Sie die Maschine erst an, nachdem die Trennscheibe zum völligen Stillstand gekommen ist. **(Abb. 6)**

WARTUNG

VORSICHT:

- Denken Sie vor der Durchführung von Überprüfungen oder Wartungsarbeiten stets daran, die Maschine auszusuchen und vom Stromnetz zu trennen.
- Verwenden Sie auf keinen Fall Benzin, Benzol, Verdünnern, Alkohol oder dergleichen. Solche Mittel können Verfärbung, Verformung oder Rissbildung verursachen.

Abrichten der Diamantscheibe

Wenn die Schneidfähigkeit der Diamantscheibe nachlässt, verwenden Sie eine ausrangierte grobkörnige Schleifscheibe oder einen Betonklotz, um die Diamantscheibe abzurichten. Spannen Sie dazu die Schleifscheibe oder den Betonklotz fest ein, und schneiden Sie die Diamantscheibe hinein.

Auswechseln der Kohlebürsten (Abb. 7 und 8)

Wenn der Kunststoff-Isolierstift in der Kohlebürste freigelegt wird, so dass er den Kollektor berührt, schaltet sich der Motor automatisch aus. In diesem Fall müssen beide Kohlebürsten erneuert werden. Halten Sie die Kohlebürsten stets sauber, damit sie ungehindert in den Haltern gleiten können. Beide Kohlebürsten sollten gleichzeitig erneuert werden. Verwenden Sie nur identische Kohlebürsten.

Heben Sie ein Ende der Staubabdeckung geringfügig von Hand an, so dass die Bürstenhalterkappe sichtbar wird.

Drehen Sie die Bürstenhalterkappen mit einem Schraubendreher heraus. Nehmen Sie die abgenutzten Kohlebürsten heraus, setzen Sie die neuen ein, und drehen Sie dann die Bürstenhalterkappen wieder ein.

Um die SICHERHEIT und ZUVERLÄSSIGKEIT dieses Produkts zu gewährleisten, sollten Reparaturen und andere Wartungs- oder Einstellarbeiten nur von Dolmar-Vertragswerkstätten oder Dolmar-Kundendienstzentren unter ausschließlicher Verwendung von Dolmar-Originalersatzteilen ausgeführt werden.

SONDERZUBEHÖR

VORSICHT:

- Die folgenden Zubehörteile oder Vorrichtungen werden für den Einsatz mit der in dieser Anleitung beschriebenen Dolmar-Maschine empfohlen. Die Verwendung anderer Zubehörteile oder Vorrichtungen kann eine Verletzungsgefahr darstellen. Verwenden Sie Zubehörteile oder Vorrichtungen nur für ihren vorgesehenen Zweck.

Wenn Sie weitere Einzelheiten bezüglich dieser Zubehörteile benötigen, wenden Sie sich bitte an Ihre Dolmar-Kundendienststelle.

- Diamantscheiben (Trockentyp)
- Trennscheiben
- Steckschlüssel 17
- Schutzbrille
- Ring 20
- Knierohr

Anschließen eines Staubsaugers (Abb. 9)

Um größere Sauberkeit bei der Arbeit zu erzielen, kann ein Staubsauger an die Maschine angeschlossen werden. Schließen Sie den Schlauch des Staubsaugers über ein Knierohr (Zubehör) an den Absaugstutzen an.

HINWEIS:

- Manche Teile in der Liste können als Standardzubehör im Werkzeugsatz enthalten sein. Sie können von Land zu Land unterschiedlich sein.

Geräusch

Typischer A-bewerteter Geräuschpegel ermittelt gemäß EN60745:

Für Modell EC-2412

Schalldruckpegel (L_{pA}): 101 dB (A)

Schalleistungspegel (L_{WA}): 112 dB (A)

Ungewissheit (K): 3 dB (A)

Für Modell EC-2414

Schalldruckpegel (L_{pA}): 103 dB (A)

Schalleistungspegel (L_{WA}): 114 dB (A)

Ungewissheit (K): 3 dB (A)

Gehörschutz tragen

ENG229-2

Vibration

Vibrationsgesamt看wert (Drei-Achsen-Vektorsumme) ermittelt gemäß EN60745:

Für Modell EC-2412

Arbeitsmodus: Betonschneiden

Vibrationsemission (a_{H1}): 2,5 m/s²

Ungewissheit (K): 1,5 m/s²

Für Modell EC-2414

Arbeitsmodus: Betonschneiden

Vibrationsemission (a_{H1}): 3,0 m/s²

Ungewissheit (K): 1,5 m/s²

ENG901-1

- Der angegebene Vibrationsemissionswert wurde im Einklang mit der Standardprüfmethode gemessen und kann für den Vergleich zwischen Maschinen herangezogen werden.
- Der angegebene Vibrationsemissionswert kann auch für eine Vorbewertung des Gefährdungsgrads verwendet werden.

WARNUNG:

- Die Vibrationsemission während der tatsächlichen Benutzung des Elektrowerkzeugs kann je nach der Benutzungsweise der Maschine vom angegebenen Emissionswert abweichen.
- Identifizieren Sie Sicherheitsmaßnahmen zum Schutz des Benutzers anhand einer Schätzung des Gefährdungsgrads unter den tatsächlichen Benutzungsbedingungen (unter Berücksichtigung aller Phasen des Arbeitszyklus, wie z. B. Ausschalt- und Leerlaufzeiten der Maschine zusätzlich zur Betriebszeit).

Nur für europäische Länder**EG-Übereinstimmungserklärung**

Die unterzeichneten, Tamiro Kishima und Rainer Bergfeld, bevollmächtigt von Dolmar GmbH, erklären, dass die Dolmar-Maschine(n):

Bezeichnung der Maschine: Winkelschneider

Modell-Nr./ Typ: EC-2412, EC-2414

der Serienproduktion entstammen und

den folgenden europäischen Richtlinien entsprechen:

2006/42/EG

und gemäß den folgenden Standards oder standardisierten Dokumenten hergestellt werden:

EN60745

Die technische Dokumentation ist archiviert bei:

Dolmar GmbH,

Jenfelder Straße 38, Abteilung FZ,

D-22045 Hamburg

30.1.2009



Tamiro Kishima
Geschäftsführer




Rainer Bergfeld
Geschäftsführer

Visione Generale

- | | | |
|--------------------------|----------------------|------------------------|
| 1 Bullone ad alette | 10 Flangia | 19 Spazzola di carbone |
| 2 Base | 11 Anello | 20 Coperchio polvere |
| 3 Profondità di taglio | 12 Ruota | 21 Cacciavite |
| 4 Dado di fissaggio | 13 Flangia | 22 Tappo portaspazzole |
| 5 Protezione ruota | 14 Bullone esagonale | 23 Bocchettone polvere |
| 6 Grilletto interruttore | 15 Tacca | 24 Giunto a gomito |
| 7 Leva di bloccaggio | 16 Linea di taglio | 25 Manicotto |
| 8 Bloccaggio albero | 17 Commutatore | |
| 9 Chiave per brugole | 18 Punta isolante | |

DATI TECNICI

Modello	EC-2412	EC-2414
Diametro ruota	305 mm	355 mm
Capacità massima di taglio	100 mm	125 mm
Velocità senza carico (min ⁻¹)	5.000	3.500
Lunghezza totale	648 mm	675 mm
Peso netto	11,4 kg	12,8 kg
Classe di sicurezza	 /II	

- Per il nostro programma di ricerca e sviluppo continui, i dati tecnici sono soggetti a modifiche senza preavviso.
- I dati tecnici potrebbero differire a seconda del paese di destinazione del modello.
- Peso in base alla procedura EPTA 01/2003

Utilizzo prefissato

Questo utensile serve a tagliare tracce sulle pareti di cemento, materiali ferrosi o canali di scarico su cemento con una ruota diamantata, ma senza usare acqua.

Alimentazione

L'utensile deve essere collegato ad una presa di corrente con la stessa tensione indicata sulla targhetta del nome, e può funzionare soltanto con la corrente alternata monofase. Esso ha un doppio isolamento in osservanza alle norme europee, per cui può essere usato con le prese di corrente sprovviste della messa a terra.

GEA010-1

Avvertimenti generali per la sicurezza dell'utensile elettrico

⚠ AVVERTIMENTO Leggere tutti gli avvertimenti per la sicurezza e le istruzioni. La mancata osservanza degli avvertimenti e delle istruzioni può causare scosse elettriche, incendio e/o gravi incidenti.

Conservare tutti gli avvertimenti e le istruzioni per riferimenti futuri.

GEB042-2

AVVERTIMENTI PER LA SICUREZZA TRONCATRICE ANGOLO

Avvertimenti per la sicurezza per le normali operazioni di taglio abrasivo:

1. Questo utensile elettrico è progettato per il taglio. Leggere tutti gli avvertimenti per la sicurezza, le istruzioni, le illustrazioni e le specifiche forniti con questo utensile elettrico. La mancata osservanza di tutte le istruzioni seguenti potrebbe causare scosse elettriche, incendi e/o seri incidenti.

2. Con questo utensile elettrico si sconsigliano le operazioni quali la smerigliatura, la spazzolatura metallica, la lucidatura. Le operazioni per le quali questo utensile elettrico non è stato progettato possono creare pericoli e causare incidenti.
3. Non si devono usare accessori che non sono stati designati e consigliati appositamente dal produttore dell'utensile. Anche se un accessorio può essere attaccato a questo utensile elettrico, esso non garantisce il funzionamento sicuro.
4. La velocità nominale dell'accessorio deve essere almeno uguale alla velocità massima indicata sull'utensile elettrico. Gli accessori che girano a una velocità maggiore di quella nominale possono rompersi e volare via.
5. Il diametro esterno e lo spessore dell'accessorio devono essere entro la taratura nominale dell'utensile elettrico. Gli accessori con le dimensioni sbagliate non possono essere adeguatamente protetti o controllati.
6. Le dimensioni dell'albero dei dischi, flange, tamponi di rinforzo e di qualsiasi altro accessorio devono essere adatte al mandrino di questo utensile elettrico. Gli accessori con fori dell'albero inadatti all'attrezzatura di montaggio dell'utensile elettrico girano sbilanciati, vibrano eccessivamente e possono causare una perdita di controllo.
7. Non si deve usare un accessorio danneggiato. Prima di ciascun utilizzo, ispezionare che l'accessorio, come i dischi abrasivi, non presenti scheggiature e crepe, che i tamponi di rinforzo non mostrino crepe, lacerazioni o usura eccessiva, le spazzole metalliche non abbiano fili di ferro allentati o spezzati. Se l'utensile elettrico o l'accessorio è caduto, controllare se è danneggiato o installare un accessorio non danneggiato. Dopo l'ispezione e l'installazione di un accessorio, posizionarsi e tenere gli astanti lontani dal piano dell'accessorio rotante e far girare l'utensile elettrico al massimo senza carico per un minuto. Gli accessori danneggiati si rompono generalmente durante questo periodo di prova.

8. **Indossare l'equipaggiamento di protezione. A seconda del lavoro, usare uno schermo per il viso, occhiali di protezione od occhiali di sicurezza. Secondo il necessario, indossare una mascherina antipolvere, protezioni per le orecchie, guanti e grembiante di lavoro in grado di fermare piccoli frammenti abrasivi o schegge del pezzo.** Gli occhiali di protezione devono poter fermare i frammenti volanti prodotti dalle varie operazioni. La mascherina antipolvere o respiratore devono essere capaci di filtrare le particelle generate dal lavoro. L'esposizione prolungata al rumore di alta intensità potrebbe causare la perdita dell'udito.
9. **Tenere gli astanti a una distanza di sicurezza dall'area di lavoro. Chiunque entri nell'area di lavoro deve indossare l'equipaggiamento personale di protezione.** I frammenti del pezzo o di un accessorio che si rompe potrebbero volare via causando incidenti fuori dall'area immediata del lavoro.
10. **Tenere l'utensile elettrico soltanto per le superfici di presa isolate quando si esegue una operazione in cui l'accessorio di taglio potrebbe fare contatto con fili elettrici nascosti o con il cavo di alimentazione dell'utensile.** Il contatto dell'accessorio di taglio con un filo elettrico "sotto tensione" potrebbe mettere "sotto tensione" le parti metalliche esposte dell'utensile elettrico dando una scossa all'operatore.
11. **Posizionare il cavo di alimentazione dell'utensile discosto dall'accessorio che gira.** Se si perde il controllo dell'utensile, il cavo potrebbe essere tagliato o rimanere impigliato, e la mano o il braccio potrebbero essere attirati nell'accessorio che gira.
12. **Non si deve mai posare l'utensile elettrico finché l'accessorio non si è fermato completamente.** L'accessorio che gira potrebbe fare presa sulla superficie causando la perdita di controllo dell'utensile elettrico.
13. **Non si deve far funzionare l'utensile elettrico mentre lo si trasporta sul proprio fianco.** Il contatto accidentale con l'accessorio che gira potrebbe fare presa sul vestito spingendo l'accessorio nel corpo.
14. **Pulire regolarmente le aperture di ventilazione dell'utensile elettrico.** La ventola del motore attira la polvere all'interno dell'alloggiamento, e l'accumulazione eccessiva della polvere di metallo potrebbe causare pericoli elettrici.
15. **Non si deve far funzionare l'utensile elettrico vicino a materiali infiammabili,** perché le scintille potrebbero incendiarli.
16. **Non si devono usare accessori che richiedono refrigeranti liquidi.** L'impiego di acqua o di altri refrigeranti liquidi potrebbe causare elettrocuzione o scosse elettriche.

Contraccolpi e relativi avvertimenti

Il contraccollo è una improvvisa reazione a un disco rotante incastrato od ostacolato, tamponi di rinforzo, spazzola o un qualsiasi altro accessorio. L'incastramento o l'ostacolazione causano il rapido stallo dell'accessorio rotante, che a sua volta causa la spinta dell'utensile elettrico senza controllo nella direzione opposta della rotazione dell'accessorio sul punto dell'inceppamento.

Per esempio, se un disco abrasivo viene ostacolato o incastrato dal pezzo, il filo del disco che entra nel punto di incastramento può penetrare nella superficie del materiale causando la fuoriuscita o il contraccollo del disco. Il disco potrebbe rimbalzare verso l'operatore o lontano da esso, a seconda della direzione del movimento del disco sul punto di inceppamento. In queste condizioni, i dischi abrasivi potrebbero anche rompersi.

Il contraccollo è il risultato dell'uso sbagliato dell'utensile elettrico e/o delle procedure o condizioni sbagliate di funzionamento, e può essere evitato prendendo le precauzioni appropriate come indicato di seguito.

- a) **Tenere saldamente l'utensile elettrico e posizionare il corpo e le braccia in modo da poter resistere alla forza del contraccollo. Per il massimo controllo del contraccollo o della reazione alla coppia di avviamento, usare sempre il manico ausiliario, se fornito.** Prendendo le precauzioni appropriate, l'operatore può controllare la reazione alla coppia di avviamento e la forza del contraccollo.
- b) **Non si devono mai mettere le mani vicino all'accessorio rotante.** Si potrebbe verificare un contraccollo dell'accessorio sulle mani.
- c) **Non si deve posizionare il corpo nell'area di spostamento dell'utensile elettrico se si verifica un contraccollo.** Il contraccollo spinge l'utensile nella direzione opposta al movimento del disco sul punto dell'inceppamento.
- d) **Fare particolarmente attenzione lavorando gli angoli, i bordi affilati, ecc. Evitare di far rimbalzare o di ostacolare l'accessorio.** Gli angoli, i bordi affilati o i rimbalzi tendono a inceppare l'accessorio rotante causando una perdita di controllo o un contraccollo.
- e) **Non si devono attaccare una lama di intaglio del legno per sega a catena o una lama dentata.** Tali lame causano frequenti contraccolpi e perdite di controllo.

Avvertimenti per la sicurezza specifici per le operazioni di taglio:

- a) **Usare soltanto tipi di dischi raccomandati per l'utensile elettrico e la protezione specifica progettata per il disco selezionato.** I dischi che non sono stati progettati per questo utensile elettrico non possono essere adeguatamente protetti e non sono sicuri.
- b) **La protezione deve essere attaccata saldamente all'utensile elettrico e posizionata per la massima sicurezza, in modo che una parte minima del disco sia esposta verso l'operatore.** La protezione aiuta a proteggere l'operatore dai frammenti causati dalla rottura del disco, e dal contatto accidentale con il disco.
- c) **I dischi devono essere usati soltanto per le applicazioni raccomandate. Per esempio: non si deve smerigliare con il lato del disco di taglio.** I dischi di taglio abrasivi sono progettati per la smerigliatura periferica, e le forze laterali applicate a questi dischi potrebbero causarne la rottura.

- d) **Usare sempre flange per dischi non danneggiate delle dimensioni e forme corrette per il disco selezionato.** Le flange corrette supportano il disco, riducendo così la possibilità di una rottura del disco. Le flange per dischi di taglio potrebbero essere diverse dalle flange per dischi smerigliatori.
- e) **Non usare dischi usurati di utensili elettrici più grandi.** I dischi progettati per gli utensili elettrici più grandi non sono adatti alla velocità più alta di un utensile più piccolo, e potrebbero scoppiare.

Avvertimenti per la sicurezza supplementari specifici per le operazioni di taglio abrasivo:

- a) **Evitare di “inceppare” il disco diamantato o di applicarvi sopra una forza eccessiva. Non si deve cercare di fare una profondità di taglio eccessiva.** Una sollecitazione eccessiva sul disco aumenta il carico e la possibilità di un contraccolpo o di una rottura del disco.
- b) **Non posizionare il corpo sulla linea e dietro il disco che ruota.** Quando il disco, sul punto di lavorazione, si allontana dal corpo dell'operatore, il possibile contraccolpo potrebbe scagliare il disco che gira e l'utensile elettrico direttamente su di lui.
- c) **Quando il disco si inceppa o se il taglio si interrompe per un qualsiasi motivo, spegnere l'utensile elettrico e tenerlo fermo finché il disco non si è completamente arrestato. Non si deve mai cercare di rimuovere il disco diamantato dal taglio mentre è in movimento, perché altrimenti si potrebbe verificare un contraccolpo.** Controllare e procedere con una azione correttiva che elimini la causa dell'inceppamento del disco.
- d) **Non riavviare l'operazione di taglio nel pezzo. Lasciare che il disco raggiunga la velocità massima e rientrare con cura nel taglio.** Il disco potrebbe incepparsi, rialzarsi o fare un contraccolpo se si riavvia l'utensile elettrico nel pezzo.
- e) **Supportare i pannelli o qualsiasi pezzo di dimensioni molto grandi per minimizzare il rischio di inceppamento o di contraccolpo.** I grandi pezzi tendono a piegarsi sotto il loro stesso peso. I supporti devono essere sistemati sotto il pezzo vicino alla linea di taglio e vicino al bordo del pezzo su entrambi i lati del disco.
- f) **Usare precauzioni speciali per praticare un “taglio cavo” nelle pareti esistenti o altre aree cieche.** Il disco sporgente potrebbe tagliare i tubi del gas o dell'acqua, fili elettrici od oggetti che possono causare un contraccolpo.

Avvertimenti per la sicurezza supplementari:

17. **Usando dischi smerigliatori con centro depresso, scegliere soltanto quelli rinforzati con fibra di vetro.**
18. **Fare attenzione a non danneggiare il mandrino, la flangia (soprattutto la superficie di installazione) o il controdado.** Se queste parti sono danneggiate, potrebbero causare la rottura del disco.
19. **Accertarsi che il disco non faccia contatto con il pezzo prima dell'attivazione dell'interruttore.**
20. **Prima di usare l'utensile sul pezzo, lasciarlo girare per qualche momento.** Controllare se ci sono vibrazioni od ondeggiamenti, che potrebbero indicare l'installazione scarsa del disco o un disco bilanciato male.

21. **Usare la superficie specificata del disco per eseguire la smerigliatura.**
22. **Fare attenzione alle scintille sprigionate.** L'operatore deve tenere l'utensile in modo che le scintille non finiscano addosso alla sua o ad altre persone, o su materiali infiammabili.
23. **Non lasciare solo l'utensile mentre funziona.** Farlo funzionare soltanto tenendolo in mano.
24. **Il pezzo non va toccato immediatamente dopo una operazione.** Esso potrebbe essere estremamente caldo e causare bruciature.
25. **Accertarsi sempre che l'utensile sia spento e staccato dalla presa di corrente, o che la batteria sia stata rimossa, prima di qualsiasi intervento su di esso.**
26. **Osservare le istruzioni del produttore per il corretto montaggio e utilizzo dei dischi.** Maneggiare e conservare i dischi con cura.
27. **Non usare bocche di riduzione o adattatori separati per montare dischi abrasivi con foro largo.**
28. **Usare soltanto le flange specificate per questo utensile.**
29. **Usando gli utensili su cui montare dischi con foro filettato, accertarsi che la filettatura del disco sia sufficientemente lunga da accettare la lunghezza del mandrino.**
30. **Accertarsi che il pezzo sia supportato correttamente.**
31. **Tenere presente che il disco continua a girare dopo che si è spento l'utensile.**
32. **Se l'ambiente di lavoro è estremamente caldo o umido, oppure contaminato da polvere conduttiva, usare un salvavita (30 mA) per la sicurezza.**
33. **Non usare l'utensile su materiali che contengono amianto.**
34. **Non usare acqua o lubrificanti di smerigliatura.**
35. **Accertarsi che le aperture di ventilazione rimangano libere durante il lavoro in condizioni di polvere.** Quando è necessario togliere la polvere, staccare prima l'utensile dalla presa di corrente (usare oggetti non metallici) ed evitare di danneggiare le parti interne.
36. **Usando i dischi diamantati, lavorare sempre con la protezione disco raccolta polvere richiesta dalle norme locali.**
37. **I dischi di taglio non devono essere soggetti a pressioni laterali.**

CONSERVARE QUESTE ISTRUZIONI.

AVVERTIMENTO:

NON lasciare che la comodità o la familiarità d'utilizzo con il prodotto (acquisita con l'uso ripetuto) sostituisca la stretta osservanza delle norme di sicurezza per il prodotto stesso. L'utilizzo SBAGLIATO o la mancata osservanza delle norme di sicurezza di questo manuale di istruzioni potrebbero causare serie lesioni personali.

DESCRIZIONE DEL FUNZIONAMENTO

ATTENZIONE:

- Accertarsi sempre che l'utensile sia spento e staccato dalla presa di corrente prima di regolarlo o di controllare il suo funzionamento.

Regolazione della profondità di taglio (Fig. 1)

Allentare il bullone ad alette sulla guida di profondità e spostare su o giù la base. Alla profondità di taglio desiderata, fissare la base stringendo il bullone ad alette.

Soltanto nel caso della regolazione della profondità di taglio a quella massima, eseguire sempre la regolazione della profondità dopo la regolazione della protezione ruota.

Fissaggio della protezione ruota (Fig. 2)

ATTENZIONE:

- La protezione della ruota deve essere regolata sull'utensile in modo che il lato chiuso della protezione sia sempre rivolto verso l'operatore.

Dopo aver allentato il dado di fissaggio, la protezione della ruota può essere regolata di circa 80 gradi. Regolare l'angolo desiderato e fissare il dado di fissaggio.

Funzionamento dell'interruttore (Fig. 3)

ATTENZIONE:

- Prima di collegare il cavo di alimentazione alla presa di corrente, controllare che il grilletto dell'interruttore funzioni correttamente e che torni sulla posizione "OFF" quando viene rilasciato.

Utensile con interruttore di blocco

Per avviare l'utensile, schiacciare semplicemente il grilletto dell'interruttore (Direzione A). Rilasciare il grilletto dell'interruttore per fermarlo.

Per il funzionamento continuo, schiacciare il grilletto dell'interruttore (direzione A) e spingere poi la leva di bloccaggio (Direzione B).

Per fermare l'utensile dalla posizione di bloccaggio, schiacciare completamente il grilletto dell'interruttore (direzione A) e rilasciarlo.

Utensile con interruttore di sblocco

Per evitare che il grilletto dell'interruttore venga schiacciato accidentalmente, esso è dotato di una leva di bloccaggio.

Per avviare l'utensile, spingere la leva di bloccaggio (direzione B) e schiacciare il grilletto dell'interruttore (Direzione A). Rilasciare il grilletto dell'interruttore per fermarlo.

Utensile con interruttore di blocco e sblocco

Per evitare che il grilletto dell'interruttore venga schiacciato accidentalmente, esso è dotato di una leva di bloccaggio.

Per avviare l'utensile, spingere la leva di bloccaggio (direzione B) e schiacciare il grilletto dell'interruttore (Direzione A). Rilasciare il grilletto dell'interruttore per fermarlo.

Per il funzionamento continuo, spingere la leva di bloccaggio (direzione B), schiacciare il grilletto dell'interruttore (direzione A) e spingere poi ulteriormente dentro la leva di bloccaggio (direzione B).

Per fermare l'utensile dalla posizione di bloccaggio, schiacciare completamente il grilletto dell'interruttore (direzione A) e rilasciarlo.

MONTAGGIO

ATTENZIONE:

- Accertarsi sempre che l'utensile sia spento e staccato dalla presa di corrente prima di qualsiasi intervento su di esso.

Installazione o rimozione della ruota (Fig. 4 e 5)

Per rimuovere la ruota, schiacciare il bloccaggio dell'albero per mantenere fermo l'albero e allentare poi il bullone esagonale in senso orario con la chiave per brugole.

Per installare una ruota, mettere la flangia con il lato della sua parte sollevata rivolta verso l'utensile e sistemare poi l'anello prima di installare una ruota sul mandrino (albero) e un'altra flangia con il lato parzialmente sollevato rivolto verso l'esterno.

Stringere completamente il bullone esagonale in senso antiorario dopo aver montato la nuova ruota, perché altrimenti il lavoro diventa pericoloso.

ATTENZIONE:

- Per l'installazione o la rimozione della ruota, usare soltanto la chiave Dolmar.

FUNZIONAMENTO

ATTENZIONE:

Tirare l'utensile quando si taglia un pezzo.

- Usare questo piastra soltanto per i tagli in linea retta. Il taglio delle curve può causare crepe di sollecitazione o frammentazione della ruota diamantata o della ruota abrasiva, con pericolo di lesioni alle persone vicine.
- Dopo il lavoro, spegnere sempre l'utensile e aspettare finché la ruota non si è fermata completamente prima di posare l'utensile.
- Per tagliare blocchi di cemento, piastrelle o materiali di muratura, non praticare tagli con una profondità superiore ai 60 mm. Se si deve tagliare un materiale oltre i 60 mm fino a 100 mm, praticare il taglio in più di due passaggi. La profondità di taglio più efficiente è di 40 mm.

Tenere saldamente l'utensile con entrambe le mani. Tenerlo senza che faccia contatto con il pezzo. Accendere poi l'utensile e aspettare che la ruota abbia raggiunto la velocità massima.

Il taglio si esegue tirando l'utensile verso di sé (non spingendolo via da sé). Per praticare il taglio, allineare la tacca della base con la linea di taglio.

Spegnere l'utensile nella posizione in cui si finisce il taglio. Sollevare l'utensile dopo che la ruota si è completamente fermata. (Fig. 6)

MANUTENZIONE

ATTENZIONE:

- Accertarsi sempre che l'utensile sia spento e staccato dalla presa di corrente prima di eseguire l'ispezione o la manutenzione.
- Mai usare benzina, benzene, solventi, alcol e altre sostanze simili. Potrebbero causare scolorimenti, deformazioni o crepe.

Affilatura della ruota diamantata

Se le prestazioni di taglio cominciano a ridursi, usare una vecchia ruota smerigliatrice da banco grossolana non più usata o un blocco di cemento per affilare la ruota diamantata. Per fare ciò, fissare saldamente la ruota smerigliatrice da banco o il blocco di cemento e praticarvi dei tagli.

Sostituzione della spazzole di carbone

(Fig. 7 e 8)

Quando la punta isolante di resina all'interno della spazzola di carbone fa contatto con il commutatore, il motore si spegne automaticamente. In tal caso, bisogna sostituire entrambe le spazzole di carbone. Mantenere le spazzole di carbone pulite e libere di scivolare nei portaspazzole. Le spazzole di carbone devono essere sostituite entrambe allo stesso tempo. Usare spazzole di carbone identiche.

Prendere leggermente con le mani una estremità del coperchio polvere in modo che appaia il tappo del portaspazzole.

Usare un cacciavite per rimuovere i tappi dei portaspazzole. Estrarre le spazzole usurate, inserire quelle nuove e fissare i tappi dei portaspazzole.

Per preservare la sicurezza e l'affidabilità del prodotto, le riparazioni, la manutenzione o la regolazione devono essere eseguite da un Centro Assistenza Dolmar autorizzato usando sempre ricambi Dolmar.

ACCESSORI OPZIONALI

ATTENZIONE:

- In questo manuale si consiglia di usare questi accessori o ricambi Dolmar. L'impiego di altri accessori o ricambi potrebbe costituire un pericolo di lesioni. Usare esclusivamente gli accessori o ricambi per il loro scopo specificato.

Per maggiori dettagli riguardo a questi accessori, rivolgersi a un centro di assistenza Dolmar.

- Ruote diamantate (Tipo a secco)
- Ruote da taglio abrasive
- Chiave per brugole 17
- Occhiali di protezione
- Anello 20
- Giunto a gomito

Collegamento di un aspiratore (Fig. 9)

Se si desidera che il lavoro sia pulito, collegare un aspiratore all'utensile. Collegare il manicotto dell'aspiratore al bocchettone della polvere usando un giunto a gomito (accessorio).

NOTA:

- Alcuni articoli nella lista potrebbero essere inclusi nell'imballo dell'utensile come accessori standard. Essi potrebbero differire da Paese a Paese.

ENG102-3

Rumore

Il tipico livello di rumore pesato A determinato secondo EN60745:

Per modello EC-2412

Livello pressione sonora (L_{pA}): 101 dB (A)

Livello potenza sonora (L_{WA}): 112 dB (A)

Incertezza (K): 3 dB (A)

Per modello EC-2414

Livello pressione sonora (L_{pA}): 103 dB (A)

Livello potenza sonora (L_{WA}): 114 dB (A)

Incertezza (K): 3 dB (A)

Indossare i paraorecchi

Vibrazione

Il valore totale di vibrazione (somma vettore triassiale) determinato secondo EN60745:

Per modello EC-2412

Modalità operativa: taglio del cemento

Emissione di vibrazione (a_{h1}): 2,5 m/s²

Incertezza (K): 1,5 m/s²

Per modello EC-2414

Modalità operativa: taglio del cemento

Emissione di vibrazione (a_{h1}): 3,0 m/s²

Incertezza (K): 1,5 m/s²

ENG901-1

- Il valore di emissione delle vibrazioni dichiarato è stato misurato conformemente al metodo di test standard, e può essere usato per paragonare un utensile con un altro.
- Il valore di emissione delle vibrazioni dichiarato può anche essere usato per una valutazione preliminare dell'esposizione.

AVVERTIMENTO:

- L'emissione delle vibrazioni durante l'uso reale dell'utensile elettrico può differire dal valore di emissione dichiarato a seconda dei modi in cui viene usato l'utensile.
- Identificare le misure di sicurezza per la protezione dell'operatore basate sulla stima dell'esposizione nelle condizioni reali d'utilizzo (tenendo presente tutte le parti del ciclo operativo, come le volte in cui l'utensile viene spento e quando gira a vuoto, oltre al tempo di funzionamento).

ENH025-3

Modello per l'Europa soltanto

Dichiarazione CE di conformità

I sottoscritti, Tamiro Kishima e Rainer Bergfeld, con l'autorizzazione della Dolmar GmbH, dichiariamo che le macchine Dolmar:

Designazione della macchina: Troncatrice angolo

Modello No./Tipo: EC-2412, EC-2414

sono una produzione di serie e

conformi alle direttive europee seguenti:

2006/42/CE

E sono fabbricate conformemente ai seguenti standard o documenti standardizzati:

EN60745

Il file della documentazione tecnica si trova all'indirizzo seguente:

Dolmar GmbH,
Jenfelder Straße 38, Abteilung FZ,
D-22045 Hamburg

30.1.2009



Tamiro Kishima
Amministratore delegato



Rainer Bergfeld
Amministratore delegato

Verklaring van algemene gegevens

1 Vleugelbout	10 Flens	19 Koolborstel
2 Voet	11 Ring	20 Stofkap
3 Snijdiepte	12 Schijf	21 Schroevendraaier
4 Klemmoer	13 Flens	22 Borstelhouderdop
5 Veiligheidskap	14 Zeskantbout	23 Mondstuk
6 Aan/uit trekschakelaar	15 Inkeping	24 Knieverbinding
7 Vergrendelknop	16 Snijlijn	25 Slang
8 Asblokkering	17 Collector	
9 Dopsleutel	18 Isolerend uiteinde	

TECHNISCHE GEGEVENS

GEB042-2

Model	EC-2412	EC-2414
Schijfdiameter	305 mm	355 mm
Max. snijcapaciteit	100 mm	125 mm
Toerental onbelast (min ⁻¹)	5 000	3 500
Totale lengte	648 mm	675 mm
Netto gewicht	11,4 kg	12,8 kg
Veiligheidsklasse	□ /II	

- In verband met ons programma van onderbroken research en ontwikkeling, kunnen de bovenstaande technische gegevens zonder voorafgaande kennisgeving worden gewijzigd.
- De technische gegevens kunnen van land tot land verschillen.
- Gewicht volgens de EPTA-procedure 01/2003

Doeleinden van gebruik

Het gereedschap is bedoeld voor het snijden van sleuven in betonnen muren of voor het snijden in ijzermateriaal of betonnen afwateringskanalen door gebruik te maken van een diamantschijf voor droog gebruik.

Stroomvoorziening

Het gereedschap mag alleen worden aangesloten op een stroombron van hetzelfde voltage als aangegeven op de naamplaat, en kan alleen op enkel-fase wisselstroom worden gebruikt. Het gereedschap is dubbel-geïsoleerd volgens de Europese standaard en kan derhalve ook op een niet-geaard stopcontact worden aangesloten.

Algemene veiligheidswaarschuwingen voor elektrisch gereedschap GEA010-1

⚠ WAARSCHUWING! Lees alle veiligheidswaarschuwingen en alle instructies. Het niet volgen van de waarschuwingen en instructies kan leiden tot elektrische schokken, brand en/of ernstig letsel.

Bewaar alle waarschuwingen en instructies om in de toekomst te kunnen raadplegen.

VEILIGHEIDSWAARSCHUWINGEN VOOR EEN HAAKSE BETONSLIJPER

Gemeenschappelijke veiligheidswaarschuwingen voor doorslijpwerkzaamheden:

1. Dit elektrisch gereedschap is bedoeld voor gebruik als doorslijpgereedschap. Lees alle veiligheidswaarschuwingen, instructies, afbeeldingen en technische gegevens die bij dit elektrisch gereedschap worden geleverd. Als u nalaat alle onderstaande instructies te volgen, kan dit leiden tot een elektrische schok, brand en/of ernstig letsel.
2. **Werkzaamheden zoals slijpen, draadborstelen en polijsten worden niet aangeraden met dit elektrisch gereedschap.** Werkzaamheden waarvoor dit elektrisch gereedschap niet is bedoeld kunnen gevaarlijke situaties opleveren en tot persoonlijk letsel leiden.
3. **Gebruik geen accessoires die niet specifiek zijn ontworpen en aanbevolen door de fabrikant van het gereedschap.** Ook wanneer het accessoire kan worden bevestigd op uw elektrisch gereedschap, is een veilige werking niet gegarandeerd.
4. **Het nominaal toerental van het accessoire moet minstens gelijk zijn aan het maximumtoerental vermeld op het elektrisch gereedschap.** Accessoires die met een hoger toerental draaien dan hun nominaal toerental kunnen stuk breken en in het rond vliegen.
5. **De buitendiameter en de dikte van het accessoire moet binnen het capaciteitsbereik van het elektrisch gereedschap vallen.** Accessoires met verkeerde afmetingen kunnen niet afdoende worden afgeschermd of beheerst.
6. **De asdiameter van schijven, flenzen, rugschijven en andere accessoires moeten goed passen rond de as van het elektrisch gereedschap.** Accessoires met een asdiameter die niet overeenkomt met de standaardhardware voor het elektrisch gereedschap zullen niet in balans draaien, buitensporig trillen en kunnen tot verlies van controle over het gereedschap leiden.

7. **Gebruik nooit een beschadigd accessoire.** Inspecteer het accessoire vóór ieder gebruik, bijvoorbeeld een slijpschijf op ontbrekende schijfers en barsten; een rugschijf op barsten, scheuren of buitensporige slijtage; en een draadborstel op losse of gebarsten draden. Nadat het elektrisch gereedschap of accessoire is gevallen, inspecteert u het op schade of monteert u een onbeschadigd accessoire. Na inspectie en montage van een accessoire, zorgt u ervoor dat u en omstanders niet in het rotatie vlak van het accessoire staan, en laat u het elektrisch gereedschap draaien op het maximaal, onbelast toerental gedurende één minuut. Beschadigd accessoire breken normaal gesproken in stukken gedurende deze testduur.
 8. **Gebruik persoonlijke-veiligheidsmiddelen.** Afhankelijk van de toepassing gebruikt u een gezichtsscherm, een beschermende bril of een veiligheidsbril. Al naar gelang van toepassing draagt u een stofmasker, gehoorbeschermers, handschoenen en een werkschort die in staat zijn kleine stukjes slijpsel of werkstukfragmenten te weerstaan. De oogbescherming moet in staat zijn rondvliegend afval te stoppen dat ontstaat bij de diverse werkzaamheden. Het stofmasker of ademhalingsapparaat moet in staat zijn deeltjes te filteren die ontstaat bij de werkzaamheden. Langdurige blootstelling aan zeer intens geluid kan leiden tot gehoorbeschadiging.
 9. **Houd omstanders op veilige afstand van het werkgebied.** Iedereen die zich binnen het werkgebied begeeft, moet persoonlijke-veiligheidsmiddelen gebruiken. Fragmenten van het werkstuk of van een uiteengevallen accessoire kunnen rondvliegen en letsel veroorzaken buiten de onmiddellijke werkomgeving.
 10. **Houd elektrisch gereedschap uitsluitend vast aan het geïsoleerde oppervlak van de handgrepen wanneer u werkt op plaatsen waar het slijpaccessoire met verborgen bedrading of zijn eigen snoer in aanraking kan komen.** Wanneer het slijpaccessoire in aanraking komt met onder spanning staande draden, zullen ook de niet-geïsoleerde metalen delen van het elektrisch gereedschap onder spanning komen te staan zodat de gebruiker een elektrische schok kan krijgen.
 11. **Houd het snoer goed uit de buurt van het ronddraaiende accessoire.** Als u de controle verliest over het gereedschap, kan het snoer worden doorsneden of bekneld raken, en kan uw hand of arm tegen het ronddraaiende accessoire worden aange trokken.
 12. **Leg het elektrisch gereedschap nooit neer voordat het accessoire volledig tot stilstand is gekomen.** Het ronddraaiende accessoire kan de ondergrond pakken zodat u de controle over het elektrisch gereedschap verliest.
 13. **Laat het elektrisch gereedschap niet draaien terwijl u het naast u draagt.** Als het ronddraaiende accessoire u per ongeluk raakt, kan het verstrikt raken in uw kleding waardoor het accessoire in uw lichaam wordt getrokken.
 14. **Maak de ventilatieopeningen van het gereedschap regelmatig schoon.** De ventilator van de motor zal het stof de behuizing in trekken, en een grote opeenhoping van metaalslijpsel kan leiden tot elektrisch gevaarlijke situaties.
 15. **Gebruik het elektrisch gereedschap niet in de buurt van brandbare materialen.** Vonken kunnen deze materialen doen ontvlammen.
 16. **Gebruik geen accessoire die met vloeistof moeten worden gekoeld.** Het gebruik van water of andere vloeibare koelmiddelen kan leiden tot elektrocutie of elektrische schokken.
- Terugslag en aanverwante waarschuwingen**
- Terugslag is een plotselinge reactie op een beknelde of vastgelopen draaiende schijf, rugschijf, borstel of enig ander accessoire. Beknellen of vastlopen veroorzaakt een snelle stilstand van het draaiende accessoire dat op zijn beurt ertoe leidt dat het elektrisch gereedschap zich ongecontroleerd beweegt in de tegenovergestelde richting van de draairichting van het accessoire op het moment van vastlopen.
- Bijvoorbeeld, als een slijpschijf bekneld raakt of vastloopt in het werkstuk, kan de rand van de schijf die het beknellingspunt ingaat, zich invreten in het oppervlak van het materiaal waardoor de schijf eruit klimt of eruit slaat. De schijf kan daarbij naar de gebruiker toe of weg springen, afhankelijk van de draairichting van de schijf op het beknellingspunt. Slijpschijven kunnen in dergelijke situaties ook breken.
- Terugslag is het gevolg van misgebruik van het elektrisch gereedschap en/of onjuiste gebruikprocedures of -omstandigheden, en kan worden voorkomen door goede voorzorgsmaatregelen te treffen, zoals hieronder vermeld:
- a) **Houd het gereedschap stevig vast en houd uw armen en lichaam zodanig dat u in staat bent een terugslag op te vangen.** Gebruik altijd de extra handgreep (indien aanwezig) voor een maximale controle over het gereedschap in geval van terugslag en de koppelreactiekrachten bij het starten. De gebruiker kan een terugslag of de koppelreactiekrachten opvangen indien de juiste voorzorgsmaatregelen worden getroffen.
 - b) **Plaats uw hand nooit in de buurt van het draaiende accessoire.** Het accessoire kan terugslaan over uw hand.
 - c) **Plaats uw lichaam niet in het gebied waar het elektrisch gereedschap naar toe gaat wanneer een terugslag optreedt.** Een terugslag zal het gereedschap bewegen in de tegenovergestelde richting van de draairichting van de schijf op het moment van beknellen.
 - d) **Wees bijzonder voorzichtig bij het werken met hoeken, scherpe randen, enz.** Voorkom dat het accessoire springt of bekneld raakt. Hoeken, scherpe randen of springen veroorzaken vaak beknellen van het draaiende accessoire wat leidt tot terugslag of verlies van controle over het gereedschap.
 - e) **Bevestig geen houtbewerkingsblad van een zaagketting of getand zaagblad.** Dergelijke bladen leiden vaak tot terugslag of verlies van controle over het gereedschap.

Veiligheidswaarschuwingen specifiek voor doorslijpwerkzaamheden:

- a) **Gebruik uitsluitend schijven van het type aanbevolen voor uw elektrisch gereedschap en de specifieke beschermkap voor de te gebruiken schijf.** Schijven waarvoor het elektrisch gereedschap niet is ontworpen, kunnen niet goed worden afgeschermd en zijn niet veilig.
- b) **De beschermkap moet stevig worden vastgezet aan het elektrisch gereedschap en in de maximaal beschermende stand worden gezet zodat het kleinste mogelijke deel van de schijf is blootgesteld in de richting van de gebruiker.** De beschermkap helpt de gebruiker te beschermen tegen afgebroken stukjes van de schijf en het per ongeluk aanraken van de schijf.
- c) **De schijven mogen uitsluitend worden gebruikt voor de aanbevolen toepassingen. Bijvoorbeeld: u mag niet slijpen met de zijkant van een doorslijpschijf.** Doorslijpschijven zijn bedoeld voor slijpen met de rand. Krachten op het zijoppervlak kunnen deze schijven doen breken.
- d) **Gebruik altijd onbeschadigde schijfflenzen van de juiste afmetingen en vorm voor de te gebruiken schijf.** Een goede schijfflens ondersteunt de schijf en verkleint daarmee de kans op het breken van de schijf. Flenzen voor doorslijpschijven kunnen verschillen van flenzen voor slijpschijven.
- e) **Gebruik geen afgesleten schijven van grotere elektrische gereedschappen.** Schijven die zijn bedoeld voor grotere elektrische gereedschappen zijn niet geschikt voor de hogere snelheid van een kleiner elektrisch gereedschap en kunnen in stukken breken.

Aanvullende veiligheidswaarschuwingen specifiek voor doorslijpwerkzaamheden:

- a) **Laat de doorslijpschijf niet vastlopen en oefen geen buitensporige druk uit. Probeer niet een buitensporig diepe snede te slijpen.** Een te grote kracht op de schijf verhoogt de belasting en de kans dat de schijf in de snede verdraait of vastloopt, waardoor terugslag kan optreden of de schijf kan breken.
- b) **Plaats uw lichaam niet in één lijn achter de ronddraaiende schijf.** Wanneer de schijf, op het aangrijppunt in het werkstuk, zich van uw lichaam af beweegt, kunnen door de mogelijke terugslag de ronddraaiende schijf en het elektrisch gereedschap in uw richting worden geworpen.
- c) **Wanneer de schijf vastloopt of u het slijpen onderbreekt, schakelt u het elektrisch gereedschap uit en houdt u dit stil totdat de schijf volledig tot stilstand is gekomen. Probeer nooit de doorslijpschijf uit de snede te halen terwijl de schijf nog draait omdat hierdoor een terugslag kan optreden.** Onderzoek waarom de schijf is vastgelopen en tref afdoende maatregelen om de oorzaak ervan op te heffen.
- d) **Begin niet met doorslijpen terwijl de schijf al in het werkstuk steekt. Wacht totdat de schijf op volle snelheid heeft bereikt en breng daarna de schijf voorzichtig terug in de snede.** Wanneer het elektrisch gereedschap opnieuw wordt gestart terwijl de schijf al in het werkstuk steekt, kan de schijf vastlopen, omhoog lopen of terugslaan.

- e) **Ondersteun platen en grote werkstukken om de kans op het beknellen van de schijf en terugslag te minimaliseren.** Grote werkstukken neigen door te zakken onder hun eigen gewicht. U moet het werkstuk ondersteunen vlakbij de snijlijn en vlakbij de rand van het werkstuk aan beide kanten van de schijf.
- f) **Wees extra voorzichtig bij blind slijpen in bestaande wanden of op andere plaatsen.** De uitstekende schijf kan gas- of waterleidingen, elektrische bedrading of voorwerpen die terugslag veroorzaken raken.

Aanvullende veiligheidswaarschuwingen:

17. **Bij gebruik van een slijpschijf met een verzonken middengat, mag u uitsluitend met glasvezel versterkte schijven gebruiken.**
18. **Let erop dat u de as, de flens (met name de montagekant) en de borgmoer niet beschadigt.** Als deze onderdelen beschadigd raken, kan de schijf breken.
19. **Zorg ervoor dat de schijf niet in aanraking is met het werkstuk voordat u het gereedschap hebt ingeschakeld.**
20. **Laat gereedschap een tijdje draaien voordat u het op het werkstuk gaat gebruiken. Controleer op trillingen of schommelingen die op onjuiste montage of een slecht uitgebalanceerd schijf kunnen wijzen.**
21. **Gebruik de aangegeven kant van de schijf om mee te slijpen.**
22. **Wees alert op rondvliegende vonken. Houd het gereedschap zodanig vast dat de vonken wegvliegen van u en andere personen of brandbare materialen.**
23. **Laat het gereedschap niet ingeschakeld liggen. Bedien het gereedschap alleen wanneer u het vasthoudt.**
24. **Raak het werkstuk niet onmiddellijk na gebruik aan. Deze kan bijzonder heet zijn en brandwonden op uw huid veroorzaken.**
25. **Controleer altijd of het gereedschap is uitgeschakeld en de stekker uit het stopcontact is getrokken of de accu is verwijderd alvorens enige werkzaamheden aan het gereedschap te verrichten.**
26. **Volg de instructies van de fabrikant voor het juist monteren en gebruiken van de schijven zorgvuldig op. Behandel de schijven voorzichtig en berg deze met zorg op.**
27. **Gebruik geen afzonderlijke verloopmoffen of adapters om schuurschijven met een groot asgat aan dit gereedschap aan te passen.**
28. **Gebruik uitsluitend flenzen die voor dit gereedschap zijn bestemd.**
29. **Voor gereedschap waarop schijven met een geschroefd asgat dienen gemonteerd te worden, moet u ervoor zorgen dat de schroefdraad in de schijf lang genoeg zodat de as helemaal erin gaat.**
30. **Zorg ervoor dat het werkstuk goed ondersteund is.**
31. **Houd er rekening mee dat de schijf nog een tijdje blijft draaien nadat het gereedschap is uitgeschakeld.**

32. Indien de werkplaats uiterst warm en vochtig is, of erg verontreinigd is door geleidend stof, gebruik dan een stroomonderbreker (30 mA) om de veiligheid van de gebruiker te verzekeren.
33. Gebruik het gereedschap niet op materialen die asbest bevatten.
34. Gebruik geen water of slijpolie.
35. Houd de ventilatieopeningen schoon wanneer u in een stoffige omgeving werkt. Wanneer u stof uit deze openingen wilt verwijderen, moet u eerst de aansluiting van het gereedschap op het stopcontact verbreken en oppassen dat u geen inwendige onderdelen beschadigt (gebruik voor het reinigen uitsluitend niet-metalen voorwerpen).
36. Wanneer u een doorslijpschijf gebruikt, dient u altijd te werken met de stofvangbeschermer die door de plaatselijke overheid wordt voorgeschreven.
37. Doorslijpschijven mogen niet aan zijwaartse druk worden blootgesteld.

BEWAAR DEZE VOORSCHRIFTEN.

WAARSCHUWING:

Laat u NIET misleiden door een vals gevoel van comfort en bekendheid met het gereedschap (na veelvuldig gebruik) en neem alle veiligheidsvoorschriften van het betreffende product altijd strikt in acht. **VERKEERD GEBRUIK** of het niet naleven van de veiligheidsvoorschriften in deze gebruiksaanwijzing kan leiden tot ernstige persoonlijke verwonding.

BESCHRIJVING VAN DE FUNCTIES

LET OP:

- Zorg altijd dat het gereedschap is uitgeschakeld en niet op een stopcontact is aangesloten voordat u functies op het gereedschap instelt of controleert.

De snijdiepte instellen (Fig. 1)

Draai de vleugelbout op de dieptegeleider los en beweeg de voet naar omhoog of naar omlaag. Zet de voet bij de gewenste snijdiepte vast door de vleugelbout vast te draaien.

Alleen wanneer u instelt op de maximale snijdiepte, moet u de snijdiepte altijd instellen nadat de veiligheidskap is afgesteld.

De veiligheidskap vastzetten (Fig. 2)

LET OP:

- Monteer de veiligheidskap zodanig dat de gesloten zijde van de kap altijd naar de gebruiker gericht is.

De veiligheidskap is afstelbaar binnen een hoek van ongeveer 80 graden. Draai de klemmoer los, stel in op de gewenste hoek, en draai vervolgens de klemmoer weer goed vast.

Werking van de aan/uit schakelaar (Fig. 3)

LET OP:

- Alvorens het gereedschap op een stopcontact aan te sluiten, moet u altijd controleren of de trekschakelaar behoorlijk werkt en bij het loslaten naar de "OFF" positie terugkeert.

Voor gereedschap met een vastzetknop

Om het gereedschap te starten, drukt u gewoon de trekschakelaar in (richting A). Laat de trekschakelaar los om het gereedschap te stoppen.

Voor continu gebruik, eerst de trekschakelaar (richting A) en vervolgens de vergrendelknop (richting B) indrukken. Om het gereedschap vanuit deze vergrendelde stand te stoppen, moet u de trekschakelaar volledig indrukken (richting A) en hem vervolgens loslaten.

Voor gereedschap met een ontgrendelknop

Een vergrendelknop is voorzien om te voorkomen dat de trekschakelaar per toeval wordt ingedrukt.

Om het gereedschap te starten, drukt u eerst de vergrendelknop (richting B) en vervolgens de trekschakelaar (richting A) in. Laat de trekschakelaar los om het gereedschap te stoppen.

Voor gereedschap met een vastzetknop en een ontgrendelknop

Een vergrendelknop is voorzien om te voorkomen dat de trekschakelaar per toeval wordt ingedrukt.

Om het gereedschap te starten, drukt u eerst de vergrendelknop (richting B) en vervolgens de trekschakelaar (richting A) in. Laat de trekschakelaar los om het gereedschap te stoppen.

Voor continu gebruik, drukt u eerst de vergrendelknop (richting B), daarna de trekschakelaar (richting A) en tenslotte de vergrendelknop verder (richting B) in.

Om het gereedschap vanuit deze vergrendelde stand te stoppen, moet u de trekschakelaar volledig indrukken (richting A) en hem vervolgens loslaten.

INEENZETTEN

LET OP:

- Zorg altijd dat het gereedschap is uitgeschakeld en niet op een stopcontact is aangesloten alvorens enig werk aan het gereedschap uit te voeren.

Installeren of verwijderen van de schijf (Fig. 4 en 5)

Om de schijf te verwijderen, drukt u eerst de asblokkering in zodat de as niet kan draaien. Gebruik daarna de dopsleutel om de zeskantbout naar rechts los te draaien. Om een nieuwe schijf te installeren, monteert u de flens met haar gedeeltelijk verhoogde kant naar het gereedschap gericht. Monteer vervolgens de ring, installeer de schijf op de as, en monteer de andere flens met haar gedeeltelijk verhoogde kant naar buiten gericht.

Na het monteren van een nieuwe schijf moet u de zeskantbout stevig naar links vastdraaien.

LET OP:

- Gebruik uitsluitend de Dolmar dopsleutel om de schijf te installeren of te verwijderen.

BEDIENING

LET OP:

Om een werkstuk te snijden moet u het gereedschap naar u toe trekken.

- Gebruik dit gereedschap alleen voor het snijden in rechte lijn. Als u gebogen lijnen snijdt, kan de diamant-schijf of doorslijpschijf scheuren of in stukken breken ten gevolge van de voortgebrachte spanning, zodat de gebruiker of anderen in de omgeving verwond kunnen raken.

- Schakel het gereedschap na het gebruik uit en wacht totdat de schijf volledig tot stilstand is gekomen alvorens het gereedschap neer te leggen.
- Wanneer u in betonnen blokken, tegels of metselwerk snijdt, mag de snijdiepte niet meer dan 60 mm zijn. Snij in twee beurten wanneer een diepte van meer dan 60 mm tot maximaal 100 mm nodig is. De meest doeltreffende snijdiepte is ongeveer 40 mm.

Pak het gereedschap stevig vast met beide handen en houd het zodanig dat de schijf het werkstuk niet raakt. Schakel vervolgens het gereedschap in en wacht tot de schijf op volle toeren draait.

De snede wordt gemaakt door het gereedschap naar u toe te trekken (en niet door het van u weg te duwen). Doe de inkeping op de voet overeenkomen met de snijlijn om de snede te maken.

Nadat de snede is voltooid, schakelt u het gereedschap uit op de plaats waar het zich bevindt. Breng het gereedschap omhoog nadat de schijf volledig tot stilstand is gekomen. **(Fig. 6)**

ONDERHOUD

LET OP:

- Zorg altijd dat het gereedschap is uitgeschakeld en niet op een stopcontact is aangesloten voordat u begint met inspectie of onderhoud.
- Gebruik nooit benzine, wasbenzine, thinner, alcohol en dergelijke. Hierdoor het verkleuring, vervormingen en barsten worden veroorzaakt.

De diamantschijf aanscherpen

Als de diamantschijf niet meer goed snijdt, gebruik dan een afgedankte grofkorrelige tafelslijpmachineschijf of een betonblok om de diamantschijf aan te scherpen. Zet de tafelslijpmachineschijf of het betonblok goed vast en snij erin met de diamantschijf.

De koolborstels vervangen (Fig. 7 en 8)

Wanneer het isolerende harsuiteinde in de koolborstels zo ver versleten is dat het met de collector in aanraking komt, zal de motor automatisch afslaan. In zo'n geval moet u beide koolborstels vervangen. Houd de koolborstels schoon zodat ze vlot in de houders glijden. Beide koolborstels dienen tegelijkertijd te worden vervangen. Gebruik uitsluitend identieke koolborstels.

Breng een uiteinde van de stofkap ietwat omhoog met uw handen zodat de borstelhouderdoppen zichtbaar worden.

Verwijder de borstelhouderdoppen met een schroevendraaier. Haal de versleten koolborstels eruit, schuif de nieuwe erin, en draai de borstelhouderdoppen goed vast.

Om de VEILIGHEID en BETROUWBAARHEID van het product te handhaven, dienen alle reparaties en alle andere onderhoudswerkzaamheden of afstellingen te worden uitgevoerd door een erkend Dolmar Servicecentrum, en dat uitsluitend met gebruik van Dolmar vervangingsonderdelen.

OPTIONELE ACCESSOIRES

LET OP:

- Deze accessoires of hulpstukken worden aanbevolen voor gebruik met het Dolmar gereedschap dat in deze gebruiksaanwijzing is beschreven. Bij gebruik van andere accessoires of hulpstukken bestaat er gevaar voor persoonlijke verwonding. Gebruik de accessoires of hulpstukken uitsluitend voor hun bestemd doel.

Wenst u meer bijzonderheden over deze accessoires, neem dan contact op met het plaatselijke Dolmar servicecentrum.

- Diamantschijven (Droog type)
- Doorslijpschijven
- Dopsleutel 17
- Veiligheidsbril
- Ring 20
- Knieverbinding

Aansluiten op een stofzuiger (Fig. 9)

U kunt schoner werken door een stofzuiger op het gereedschap aan te sluiten. Sluit de slang van een stofzuiger via een knieverbinding (accessoire) aan op het mondstuk.

OPMERKING:

- Sommige van de onderdelen in deze lijst kunnen bijgeleverd zijn als standaard-accessoires. Deze accessoires kunnen per land verschillend zijn.

ENG102-3

Geluidsniveau

De typisch, A-gewogen geluidsniveaus vastgesteld volgens EN60745:

Voor model EC-2412

Geluidsdrukniveau (L_{pA}): 101 dB (A)

Geluidsenergie-niveau (L_{WA}): 112 dB (A)

Onnauwkeurigheid (K): 3 dB (A)

Voor model EC-2414

Geluidsdrukniveau (L_{pA}): 103 dB (A)

Geluidsenergie-niveau (L_{WA}): 114 dB (A)

Onnauwkeurigheid (K): 3 dB (A)

Draag oorbeschermers

ENG229-2

Trilling

De totaalwaarde van de trillingen (triaxiale vectorsom) vastgesteld volgens EN60745:

Voor model EC-2412

Toepassing: zagen van beton

Trillingsemmissie (a_h): 2,5 m/s²

Onnauwkeurigheid (K): 1,5 m/s²

Voor model EC-2414

Toepassing: zagen van beton

Trillingsemmissie (a_h): 3,0 m/s²

Onnauwkeurigheid (K): 1,5 m/s²

- De opgegeven trillingsemisiewaarde is gemeten volgens de standaardtestmethode en kan worden gebruikt om dit gereedschap te vergelijken met andere gereedschappen.
- De opgegeven trillingsemisiewaarde kan ook worden gebruikt voor een beoordeling vooraf van de blootstelling.

WAARSCHUWING:

- De trillingsemisie tijdens het gebruik van het elektrisch gereedschap in de praktijk kan verschillen van de opgegeven trillingsemisiewaarde afhankelijk van de manier waarop het gereedschap wordt gebruikt.
- Zorg ervoor dat veiligheidsmaatregelen worden getroffen ter bescherming van de operator die zijn gebaseerd op een schatting van de blootstelling onder praktijkomstandigheden (rekening houdend met alle fasen van de bedrijfscyclus, zoals de tijdsduur gedurende welke het gereedschap is uitgeschakeld en stationair draait, naast de ingeschakelde tijdsduur).

ENH025-3

Alleen voor Europese landen

EU-Verklaring van Conformiteit

Ondergetekenden, Tamiro Kishima en Rainer Bergfeld, als erkende vertegenwoordigers van Dolmar GmbH, verklaren dat de Dolmar-machine(s):

Aanduiding van de machine: Haakse betonslijper

Modelnr./Type: EC-2412, EC-2414

in serie zijn geproduceerd en

Voldoen aan de volgende Europese richtlijnen:

2006/42/EU

En zijn gefabriceerd in overeenstemming met de volgende normen of genormaliseerde documenten:

EN60745

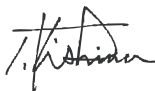
De technische documentatie wordt bewaard door:

Dolmar GmbH,

Jenfelder Straße 38, Abteilung FZ,

D-22045 Hamburg

30.1.2009



Tamiro Kishima
Hoofddirecteur




Rainer Bergfeld
Hoofddirecteur

Explicación de los dibujos

- | | | |
|------------------------------|---------------------------------|----------------------------|
| 1 Tornillo de mariposa | 10 Brida | 19 Escobilla de carbón |
| 2 Base | 11 Anillo | 20 Tapa antipolvo |
| 3 Profundidad de corte | 12 Muela | 21 Destornillador |
| 4 Tuerca de sujeción | 13 Brida | 22 Tapa de portaescobillas |
| 5 Protección de la muela | 14 Tornillo de cabeza hexagonal | 23 Boquilla de aspirador |
| 6 Disparador del interruptor | 15 Muesca | 24 Unión articulada |
| 7 Palanca de bloqueo | 16 Línea de corte | 25 Manguera |
| 8 Cierre del eje | 17 Conmutador | |
| 9 Llave de tubo | 18 Punta aislante | |

ESPECIFICACIONES

GEB042-2

Modelo	EC-2412	EC-2414
Diámetro de muela	305 mm	355 mm
Capacidad máxima de corte	100 mm	125 mm
Velocidad en vacío (min ⁻¹)	5.000	3.500
Longitud total	648 mm	675 mm
Peso neto	11,4 kg	12,8 kg
Clase de seguridad	 /II	

- Debido a un programa continuo de investigación y desarrollo, las especificaciones aquí dadas están sujetas a cambios sin previo aviso.
- Las especificaciones pueden diferir de país a país.
- Peso de acuerdo con el procedimiento EPTA 01/2003

Uso previsto

La herramienta está diseñada para cortar canales en paredes de hormigón o cortar en materiales ferrosos o canalizaciones de hormigón con muela adiamantada pero sin agua.

Alimentación

La herramienta ha de conectarse solamente a una fuente de alimentación de la misma tensión que la indicada en la placa de características, y sólo puede funcionar con corriente alterna monofásica. El sistema de doble aislamiento de la herramienta cumple con la norma europea y puede, por lo tanto, usarse también en enchufes hembra sin conductor de tierra.

GEA010-1

Advertencias de seguridad generales para herramientas eléctricas

⚠ ¡ADVERTENCIA! Lea todas las advertencias de seguridad y todas las instrucciones. Si no sigue todas las advertencias e instrucciones podrá ocasionar una descarga eléctrica, un incendio y/o heridas graves.

Guarde todas las advertencias e instrucciones para futuras referencias.

ADVERTENCIAS DE SEGURIDAD PARA LA TRONZADORA ANGULAR

Advertencias de seguridad comunes para las operaciones de corte abrasivo:

- Esta herramienta eléctrica ha sido prevista para funcionar como herramienta de corte. Lea todas las advertencias de seguridad, instrucciones, ilustraciones y especificaciones provistas con esta herramienta eléctrica.** Si no sigue todas las instrucciones indicadas a continuación, podrá ocasionar una descarga eléctrica, un incendio y/o heridas graves.
- Operaciones tales como las de amolar, cepillar con alambres y pulido no se recomienda realizarlas con esta herramienta eléctrica.** La realización de operaciones para las que esta herramienta eléctrica no ha sido diseñada podrá crear un riesgo y ocasionar heridas.
- No utilice accesorios que no estén específicamente diseñados y recomendados por el fabricante de la herramienta.** El simple hecho de que el accesorio pueda ser instalado en su herramienta eléctrica no garantiza una operación segura.
- La velocidad especificada del accesorio deberá ser por lo menos igual a la máxima velocidad marcada en la herramienta eléctrica.** Los accesorios utilizados por encima de su velocidad especificada podrán romperse y salir despedidos.
- El diámetro exterior y el grosor de su accesorio deberán estar dentro del rango de capacidad de su herramienta eléctrica.** Los accesorios de tamaño incorrecto no podrán ser protegidos y controlados debidamente.
- El tamaño del agujero para eje de los discos, bridas, platos de caucho o cualquier otro accesorio deberá encajar debidamente en el eje de la herramienta eléctrica.** Los accesorios con agujero para eje que no coincida con el eje de montaje de la herramienta eléctrica se desequilibrarán, vibrarán excesivamente y podrán ocasionar una pérdida de control.

7. **No utilice un accesorio que esté dañado. Antes de cada uso, inspeccione los accesorios tales como el disco abrasivo por si está astillado o agrietado, el plato de caucho por si está agrietado, rasgado o muy desgastado, el cepillo de alambres por si tiene alambres sueltos o quebradas. Si deja caer la herramienta eléctrica o el accesorio, inspecciónelos para ver si están dañados o instale uno que no esté dañado. Después de inspeccionar e instalar un accesorio, póngase usted y cualquier curioso alejados del plano del accesorio giratorio y haga funcionar la herramienta a la máxima velocidad sin carga durante un minuto.** Los accesorios dañados normalmente se desintegrarán durante este tiempo de prueba.
8. **Póngase equipo de protección personal. En función de la aplicación, utilice pantalla facial, gafas de protección o gafas de seguridad. Según corresponda, póngase mascarilla contra el polvo, protectores auditivos, guantes y delantal de taller que pueda detener los pequeños fragmentos abrasivos o de pieza de trabajo que salgan despedidos.** La protección de los ojos deberá poder detener los desechos despedidos generados en distintas operaciones. La mascarilla contra el polvo o respirador deberá poder filtrar las partículas generadas por la operación que realice. Una exposición prolongada a ruido de alta intensidad podrá ocasionar pérdida auditiva.
9. **Mantenga a los curiosos a una distancia segura del área de trabajo. Cualquier persona que entre en el área de trabajo deberá ponerse equipo de protección personal.** Los fragmentos de la pieza de trabajo o de un accesorio roto podrán salir despedidos y ocasionar heridas más allá del área de operación.
10. **Cuando realice una operación en la que la herramienta de corte pueda entrar en contacto con cableado oculto o con su propio cable, sujete la herramienta eléctrica por las superficies de aislamiento aisladas.** El contacto con un cable con corriente hará que la corriente circule por las partes metálicas expuestas de la herramienta y podrá electrocutar al operario.
11. **Coloque el cable de alimentación apartado del accesorio giratorio.** Si pierde el control, el cable de alimentación podrá ser cortado o enredado y su mano o brazo ser arrastrado hacia el accesorio giratorio.
12. **No deje nunca la herramienta eléctrica hasta que el accesorio se haya detenido completamente.** El accesorio giratorio podrá agarrarse a la superficie y tirar de la herramienta eléctrica haciéndole perder el control de la misma.
13. **No tenga en marcha la herramienta eléctrica mientras la trasporta en su costado.** Un contacto accidental con el accesorio giratorio podrá enredar sus ropas, y atraer el accesorio hacia su cuerpo.
14. **Limpie regularmente los orificios de ventilación de la herramienta eléctrica.** El ventilador del motor conducirá el polvo hacia el interior de la carcasa y una acumulación excesiva de metal en polvo podrá ocasionar peligros eléctricos.
15. **No utilice la herramienta eléctrica cerca de materiales inflamables.** Las chispas podrán encender estos materiales.

16. **No utilice accesorios que requieran refrigerantes líquidos.** La utilización de agua u otros refrigerantes líquidos podrá resultar en una descarga eléctrica o electrocución.

Advertencias sobre retrocesos bruscos y otros peligros relacionados

El retroceso brusco es una reacción repentina debida a un aprisionamiento o estancamiento del disco, plato de caucho, cepillo o cualquier otro accesorio giratorio. El aprisionamiento o estancamiento ocasiona un detenimiento rápido del accesorio giratorio que a su vez hace que la herramienta eléctrica descontrolada sea forzada en dirección opuesta a la rotación del accesorio en el punto de bloqueo.

Por ejemplo, si el disco abrasivo queda aprisionado o estancado por la pieza de trabajo, el borde del disco que está entrando en el punto de estancamiento puede hincarse en la superficie del material haciendo que el disco se salga de la hendidura o salte. El disco podrá saltar hacia el operario o en dirección contraria a él, dependiendo de la dirección del movimiento del disco en el punto de estancamiento. Los discos abrasivos también podrán romperse en estas condiciones.

El retroceso brusco es el resultado de un mal manejo de la herramienta eléctrica y/o procedimientos o condiciones de operación incorrectos y pueden evitarse tomando las precauciones apropiadas ofrecidas a continuación.

- a) **Mantenga agarrada firmemente la herramienta eléctrica y coloque su cuerpo y brazo de forma que le permitan resistir las fuerzas del retroceso brusco. Utilice siempre el mango auxiliar, si está provisto, para tener el máximo control sobre el retroceso brusco o reacción de torsión durante la puesta en marcha.** El operario puede controlar las reacciones de torsión o fuerzas del retroceso brusco, si toma las precauciones adecuadas.
- b) **No ponga nunca su mano cerca del accesorio giratorio.** El accesorio podrá retroceder bruscamente sobre su mano.
- c) **No ponga su cuerpo en el área donde vaya a desplazarse la herramienta eléctrica si ocurre un retroceso brusco.** El retroceso brusco propulsará la herramienta en dirección opuesta al movimiento del disco en el punto del enredo.
- d) **Tenga cuidado especial cuando trabaje esquinas, bordes afilados, etc. Evite que el accesorio rebote o se enrede.** Las esquinas, bordes afilados o los rebotes tienen una tendencia a enredar el accesorio giratorio y causar una pérdida de control o retroceso brusco.
- e) **No coloque un disco de tallar madera de cadena de sierra ni un disco de sierra dentado.** Tales discos crean retrocesos bruscos y pérdida de control frecuentes.

Advertencias de seguridad específicas para operaciones de corte abrasivo:

- a) **Utilice solamente tipos de disco que estén recomendados para su herramienta eléctrica y el protector específico diseñado para el disco seleccionado.** Los discos para los que no ha sido diseñada la herramienta eléctrica no pueden ser protegidos debidamente y no son seguros.

- b) El protector de disco deberá estar fijado firmemente en la herramienta eléctrica y colocado de forma que ofrezca la máxima seguridad, quedando hacia el operario la mínima parte de disco desprotegida. El protector de disco ayuda a proteger al operario de fragmentos de disco roto y de un contacto accidental con el disco.
- c) Los discos deberán ser utilizados solamente para aplicaciones recomendadas. Por ejemplo: no amole con el costado de un disco de corte. Los discos de corte abrasivo están previstos para amolado periférico, estos discos podrán desintegrarse si se le aplican fuerzas laterales.
- d) Utilice siempre bridas de disco que no estén dañadas, y del tamaño y forma correctos para el disco que ha seleccionado. Las bridas de disco correctas sujetan los discos de tal manera que reducen la posibilidad de que el disco se rompa. Las bridas para discos de corte pueden ser diferentes de las bridas para discos de amolar.
- e) No utilice discos gastados de otras herramientas eléctricas más grandes. Los discos previstos para herramientas eléctricas más grandes no son apropiados para la máxima velocidad de una herramienta más pequeña y puede reventarla.

Advertencias de seguridad adicionales para operaciones de corte abrasivo:

- a) No “atasque” el disco de corte ni aplique presión excesiva. No intente hacer un corte de excesiva profundidad. Si fatiga en exceso el disco, aumentará la carga y la susceptibilidad de retorcerse o estancarse en el corte y existirá la posibilidad de que se produzca un retroceso brusco o la rotura del disco.
 - b) No ponga su cuerpo en línea y por detrás del disco giratorio. Cuando el disco, en el punto de operación, se mueve apartándose de su cuerpo, un posible retroceso brusco puede impulsar el disco giratorio y la herramienta eléctrica directamente hacia usted.
 - c) Cuando el disco esté estancándose o cuando quiera interrumpir un corte por cualquier razón, apague la herramienta eléctrica y sujétela sin moverla hasta que se haya detenido completamente. No intente nunca sacar el disco de corte del corte estando el disco moviéndose porque podrá producirse un retroceso brusco. Investigue y tome medidas correctivas para eliminar la causa del estancamiento del disco.
 - d) No recomience la operación de corte en la pieza de trabajo. Deje que el disco alcance plena velocidad y vuelva a entrar en el corte cuidadosamente. Si vuelve a poner en marcha la herramienta eléctrica en la pieza de trabajo, el disco podrá estancarse, saltar o retroceder bruscamente.
 - e) Sujete los paneles o cualquier pieza de trabajo demasiado grande para minimizar el riesgo de que el disco se estanque o retroceda bruscamente. Las piezas de trabajo grandes tienden a combarse con su propio peso. Deberá poner apoyos debajo de la pieza de trabajo cerca de la línea de corte y cerca del borde de la pieza de trabajo en ambos lados del disco.
- f) Extreme las precauciones cuando haga un “corte por hundimiento” en paredes u otras áreas ciegas. La parte saliente del disco podría cortar tuberías de gas o agua, cables eléctricos u objetos que pueden ocasionar un retroceso brusco.
- Advertencias de seguridad adicionales:**
17. Cuando utilice discos de amolar de centro hundido, asegúrese de utilizar solamente discos reforzados con fibra de vidrio.
 18. Tenga cuidado de no dañar el eje, la brida (especialmente la cara de instalación) ni la contratuercas. Los daños en estas piezas podrán ocasionar la rotura del disco.
 19. Asegúrese de que el disco no esté haciendo contacto con la pieza de trabajo antes de activar el interruptor.
 20. Antes de utilizar la herramienta en una pieza de trabajo definitiva, déjela funcionar durante un rato. Observe para ver si hay vibración o bamboleo que pueda indicar una incorrecta instalación o disco mal equilibrado.
 21. Utilice la superficie especificada del disco para realizar el amolado.
 22. Tenga cuidado con las chispas que salen volando. Sujete la herramienta de forma que las chispas salgan volando en dirección contraria a usted y otras personas o materiales inflamables.
 23. No deje la herramienta en marcha. Tenga en marcha la herramienta solamente cuando la tenga en la mano.
 24. No toque la pieza de trabajo inmediatamente después de la operación; podría estar muy caliente y quemarle la piel.
 25. Asegúrese siempre de que la herramienta esté apagada y desenchufada o que el cartucho de batería haya sido extraído antes de realizar cualquier trabajo en la herramienta.
 26. Observe las instrucciones del fabricante para montar y utilizar correctamente los discos. Maneje y guarde con cuidado los discos.
 27. No utilice bujes de reducción ni adaptadores separados para adaptar un orificio grande de disco abrasivo.
 28. Utilice solamente las bridas especificadas para esta herramienta.
 29. Para herramientas que vayan a ser utilizadas con discos de orificio roscado, asegúrese de que la rosca del disco sea lo suficientemente larga como para acomodar la longitud del eje.
 30. Compruebe que la pieza de trabajo esté bien sujeta.
 31. Tenga en cuenta que el disco continuará girando después de haber apagado la herramienta.
 32. Si el lugar de trabajo es muy caluroso y húmedo, o si está muy contaminado con polvo conductor, utilice un disyuntor de cortocircuito (30 mA) para cerciorarse de la seguridad del operario.
 33. No utilice la herramienta con ningún material que contenga asbestos.
 34. No utilice agua ni lubricante para amolado.
 35. Asegúrese de que las aberturas de ventilación están libres cuando trabaje en condiciones polvorosas. Si fuera necesario retirar el polvo, primero desconecte la herramienta de la toma de corriente (utilice objetos no metálicos) y evite dañar las partes internas.

36. Cuando utilice discos de corte, trabaje siempre con el protector de disco de recogida de polvo requerido por los reglamentos locales.
37. Los discos de cortar no deberán ser expuestos a ninguna presión lateral.

GUARDE ESTAS INSTRUCCIONES.

ADVERTENCIA:

NO deje que la comodidad o familiaridad con el producto (a base de utilizarlo repetidamente) sustituya la estricta observancia de las normas de seguridad para el producto en cuestión. El MAL USO o el no seguir las normas de seguridad establecidas en este manual de instrucciones podrá ocasionar graves heridas personales.

DESCRIPCIÓN FUNCIONAL

PRECAUCIÓN:

- Cerciórese siempre de que la herramienta está apagada y desenchufada antes de ajustar la herramienta o comprobar alguna de sus funciones.

Ajuste de la profundidad de corte (Fig. 1)

Afloje el tornillo de mariposa sobre la guía de profundidad y mueva la base hacia arriba o abajo. En la profundidad de corte deseada, apriete el tornillo de mariposa para fijar la base.

Solamente en el caso de ajustar la profundidad de corte en el máximo, asegúrese de hacer siempre el ajuste de profundidad después del ajuste de la protección de la muela.

Fijación de la protección de la muela (Fig. 2)

PRECAUCIÓN:

- La protección de la muela debe ajustarse en la herramienta de modo que el lateral cerrado de la protección esté orientado siempre hacia el usuario.

La protección de la muela puede ajustarse en unos 80 grados, después de aflojar la tuerca de sujeción. Ajuste en el ángulo deseado y luego apriete la tuerca de sujeción.

Mecanismo del interruptor (Fig. 3)

PRECAUCIÓN:

- Antes de enchufar la herramienta, compruebe siempre que el disparador del interruptor funciona correctamente y vuelve a la posición "OFF" (desactivado) al soltarlo.

Para herramienta con interruptor de bloqueo activado

Para poner en marcha la herramienta, simplemente tire del disparador del interruptor (Dirección A). Si desea parar, suelte el disparador del interruptor.

Para funcionamiento continuo, tire del disparador del interruptor (dirección A) y luego presione la palanca de bloqueo (Dirección B).

Si desea parar la herramienta desde la posición bloqueada, tire a fondo del disparador del interruptor (dirección A) y luego suéltelo.

Para herramienta con interruptor de bloqueo desactivado

Para evitar que el disparador del interruptor salte accidentalmente, se incluye una palanca de bloqueo.

Para poner en marcha la herramienta, presione la palanca de bloqueo (dirección B) y luego tire del disparador del interruptor (Dirección A). Si desea parar, suelte el disparador del interruptor.

Para herramienta con interruptor de bloqueo activado y desactivado

Para evitar que el disparador del interruptor salte accidentalmente, se incluye una palanca de bloqueo.

Para poner en marcha la herramienta, presione la palanca de bloqueo (dirección B) y luego tire del disparador del interruptor (Dirección A). Si desea parar, suelte el disparador del interruptor.

Para funcionamiento continuo, presione la palanca de bloqueo (dirección B), tire del disparador del interruptor (dirección A) y luego presione aún más la palanca de bloqueo.

Si desea parar la herramienta desde la posición bloqueada, tire a fondo del disparador del interruptor (dirección A) y luego suéltelo.

MONTAJE

PRECAUCIÓN:

- Cerciórese siempre de que la herramienta está apagada y desenchufada antes de realizar cualquier trabajo en ella.

Instalación o desinstalación de la muela (Fig. 4 y 5)

Para retirar la muela, apriete el cierre del eje para bloquearlo, y a continuación afloje el tornillo de cabeza hexagonal con la llave de tubo, de izquierda a derecha. Para instalar una muela, coloque la brida con su lateral parcialmente saliente orientado hacia la herramienta, y luego coloque el anillo antes de instalar una muela en el husillo (eje) y otra brida con lateral parcialmente saliente orientado hacia el exterior.

Asegúrese de apretar totalmente el tornillo de cabeza hexagonal de derecha a izquierda después de montar la nueva muela, de lo contrario el funcionamiento será peligroso.

PRECAUCIÓN:

- Utilice exclusivamente la llave Dolmar para instalar o desinstalar la muela.

FUNCIONAMIENTO

PRECAUCIÓN:

Sujete bien la herramienta cuando corte una pieza.

- Utilice esta herramienta para cortar exclusivamente en línea recta. Los cortes en curva pueden provocar grietas de tensión o fragmentación de la muela adiamantada y de la muela de corte abrasivo, que podrían causar lesiones a las personas cercanas.
- Después del funcionamiento, apague siempre la herramienta y espere hasta que la muela se detenga completamente antes de soltar la herramienta.
- Cuando corte bloques de hormigón, baldosas o materiales de mampostería, no haga de cortes de profundidad superior a 60 mm. Cuando necesite cortar una pieza de más de 60 mm y hasta 100 mm, realice más de dos pasadas de corte. La profundidad del corte con máxima eficiencia es de unos 40 mm.

Sujete la herramienta firmemente con ambas manos. Sujete primero la muela sin tocar ninguna pieza de corte. Luego, encienda la herramienta y espere hasta que la muela alcance plena velocidad.

El corte se hace tirando de la herramienta hacia usted (no empujando hacia adelante). Cuando realice un corte, debe alinear la muesca de la base con su línea de corte. Apague la herramienta en la posición resultante al finalizar un corte. Levante la herramienta después de que la muela se haya detenido completamente. (Fig. 6)

MANTENIMIENTO

PRECAUCIÓN:

- Cerciérese siempre de que la herramienta está apagada y desenchufada antes de emprender cualquier tarea de inspección o mantenimiento.
- No utilice nunca gasolina, bencina, disolvente, alcohol o similares. Podría producir descoloración, deformación o grietas.

Reafilado de la muela adiamantada

Si la acción de corte de la muela adiamantada empieza a disminuir, utilice una vieja muela desbastadora de banco de grano grueso que ya no sirva o un bloque de hormigón para reafilar la muela adiamantada. Para ello, sujete bien la muela desbastadora de banco o el bloque de hormigón y proceda al corte.

Sustitución de escobillas de carbón (Fig. 7 y 8)

Cuando la punta aislante de resina, dentro de la escobilla de carbón, queda expuesta a contacto con el conmutador, apagará automáticamente el motor. Cuando esto ocurre, es preciso cambiar ambas escobillas de carbón. Mantenga las escobillas de carbón limpias y libres para encajarse en sus soportes. Ambas escobillas de carbón deben cambiarse al mismo tiempo. Utilice exclusivamente escobillas de carbón idénticas.

Levante suavemente con las manos un extremo de la tapa antipolvo de modo que aparezca la tapa del portaescobillas.

Utilice un destornillador para retirar las tapas del portaescobillas. Saque las escobillas de carbón gastadas, inserte las nuevas y apriete las tapas del portaescobillas.

Para mantener la SEGURIDAD y la FIABILIDAD del producto, las reparaciones y cualquier otro mantenimiento o ajuste deberán ser realizados por los centros de servicio autorizado de Dolmar, siempre con piezas de repuesto de Dolmar.

ACCESORIOS OPCIONALES

PRECAUCIÓN:

- Estos accesorios o acoplamientos están recomendados para utilizar con su herramienta Dolmar especificada en este manual. El empleo de cualesquiera otros accesorios o acoplamientos conllevará un riesgo de sufrir heridas personales. Utilice los accesorios o acoplamientos solamente para su fin establecido.

Si necesita cualquier ayuda para más detalles en relación con estos accesorios, pregunte a su centro de servicio Dolmar local.

- Muelas adiamantadas (en seco)
- Discos de corte abrasivo
- Llave de tubo 17
- Gafas de seguridad
- Anillo 20
- Unión articulada

Conexión a un aspirador (Fig. 9)

Cuando quiera realizar una operación de limpieza, conecte un aspirador a su herramienta. Conecte la manguera del aspirador a la boquilla de aspirador mediante una unión articulada (accesorio).

NOTA:

- Algunos elementos de la lista podrán estar incluidos en el paquete de la herramienta como accesorios estándar. Pueden variar de un país a otro.

ENG102-3

Ruido

El nivel de ruido A-ponderado típico determinado de acuerdo con la norma EN60745:

Para modelo EC-2412

Nivel de presión sonora (L_{pA}): 101 dB (A)

Nivel de potencia sonora (L_{WA}): 112 dB (A)

Error (K): 3 dB (A)

Para modelo EC-2414

Nivel de presión sonora (L_{pA}): 103 dB (A)

Nivel de potencia sonora (L_{WA}): 114 dB (A)

Error (K): 3 dB (A)

Póngase protectores en los oídos

ENG229-2

Vibración

El valor total de la vibración (suma de vectores triaxiales) determinado de acuerdo con la norma EN60745:

Para modelo EC-2412

Modo tarea: corte de hormigón

Emisión de vibración (a_{h1}): 2,5 m/s²

Error (K): 1,5 m/s²

Para modelo EC-2414

Modo tarea: corte de hormigón

Emisión de vibración (a_{h1}): 3,0 m/s²

Error (K): 1,5 m/s²

ENG901-1

- El valor de emisión de vibración declarado ha sido medido de acuerdo con el método de prueba estándar y se puede utilizar para comparar una herramienta con otra.
- El valor de emisión de vibración declarado también se puede utilizar en una valoración preliminar de exposición.

ADVERTENCIA:

- La emisión de vibración durante la utilización real de la herramienta eléctrica puede variar del valor de emisión declarado dependiendo de las formas en las que la herramienta sea utilizada.
- Asegúrese de identificar medidas de seguridad para proteger al operario que estén basadas en una estimación de la exposición en las condiciones reales de utilización (teniendo en cuenta todas las partes del ciclo operativo tal como las veces cuando la herramienta está apagada y cuando está funcionando en vacío además del tiempo de gatillo).

Para países europeos solamente

Declaración de conformidad CE

Los abajo firmantes, Tamiro Kishima y Rainer Bergfeld, como personas autorizadas por Dolmar GmbH, declaran que la(s) máquina(s) Dolmar:

Designación de máquina: Cortadora Angular

Modelo N°/Tipo: EC-2412, EC-2414

son producidas en serie y

Cumplen con las directivas europeas siguientes:

2006/42/CE

Y que están fabricadas de acuerdo con las normas o documentos normalizados siguientes:

EN60745

Los documentos técnicos están en un archivo en:

Dolmar GmbH,

Jenfelder Straße 38, Abteilung FZ,

D-22045 Hamburgo

30.1.2009



Tamiro Kishima
Director General




Rainer Bergfeld
Director General

Explicação geral

1 Parafusos de orelhas	10 Prato	19 Escova de carvão
2 Base	11 Anel	20 Tampa do pó
3 Profundidade de corte	12 Disco	21 Chave de parafusos
4 Porca de fixação	13 Prato	22 Tampa do porta escovas
5 Resguardo do disco	14 Parafuso hexagonal	23 Bocal de pó
6 Gatilho do interruptor	15 Ranhura	24 Junta em cotovelo
7 Travão	16 Linha de corte	25 Mangueira
8 Travão do veio	17 Comutador	
9 Chave de caixa	18 Ponta isolante	

ESPECIFICAÇÕES

GEB042-2

Modelo	EC-2412	EC-2414
Diâmetro do disco	305 mm	355 mm
Capacidade máxima de corte	100 mm	125 mm
Velocidade em vazio (min ⁻¹)	5.000	3.500
Comprimento total	648 mm	675 mm
Peso líquido	11,4 kg	12,8 kg
Classe de segurança	 /II	

AVISOS DE SEGURANÇA PARA A FREZADORA DE CABEÇA ANGULAR

Avisos de segurança comuns para corte abrasivo:

- Devido ao nosso programa contínuo de pesquisa e desenvolvimento, as características indicadas neste documento estão sujeitas a alterações sem aviso prévio.
- As especificações podem diferir de país para país.
- Peso de acordo com o Procedimento 01/2003 da EPTA (European Power Tool Association)

Utilização a que se destina

A ferramenta destina-se a abrir rasgos em paredes de betão ou cortar materiais ferrosos ou canais de drenagem em betão com um disco de diamante mas sem utilizar água.

Alimentação

A ferramenta só deve ser ligada a uma fonte de alimentação com a mesma voltagem da indicada na placa de características, e só funciona com alimentação de corrente alterna monofásica. Tem um sistema de isolamento duplo de acordo com as normas europeias e pode, por isso, utilizar tomadas sem ligação à terra.

GEA010-1

Avisos gerais de segurança para ferramentas eléctricas

⚠ AVISO! Leia todos os avisos de segurança e todas as instruções. O não cumprimento de todos os avisos e instruções pode originar choque eléctrico, incêndio e/ou ferimentos graves.

Guarde todos os avisos e instruções para futuras referências.

1. **Esta ferramenta foi concebida para funcionar como uma ferramenta de corte. Leia os avisos de segurança, instruções, ilustrações e especificações fornecidas com a ferramenta.** O não seguimento de todas as instruções que se seguem poderá resultar em choque eléctrico, incêndio e/ou graves ferimentos.
2. **Não é recomendável utilizar esta ferramenta para efectuar operações de rebarbação, limpeza com escova metálica e polimento.** Operações diferentes daquelas para as quais a ferramenta foi projectada podem criar situações perigosas e causar ferimentos ao operador.
3. **Não utilize acessórios que não sejam especificamente projectados e recomendados pelo fabricante.** O fato de poder instalar o acessório na ferramenta eléctrica não garante um funcionamento com segurança.
4. **A velocidade nominal do acessório deve ser pelo menos igual à velocidade máxima indicada na ferramenta.** Os acessórios que funcionam em velocidade mais alta do que a velocidade nominal podem quebrar e se estilhaçar.
5. **O diâmetro externo e a espessura do acessório devem estar dentro da capacidade nominal da ferramenta eléctrica.** Não é possível proteger ou controlar adequadamente os acessórios de tamanho incorrecto.
6. **O tamanho da haste dos discos, falanges, base protectora ou qualquer outro acessório deve encaixar devidamente no eixo da ferramenta.** Acessórios com orifícios de haste que não correspondem com o hardware de instalação da ferramenta eléctrica ficam desbalanceados, vibram excessivamente e podem causar a perda de controlo.

7. **Não utilize acessórios danificados. Antes de cada utilização, inspecione o acessório, tal como o disco abrasivo, para ver se há trincos ou rachaduras, a base protectora para ver se há trincos, rasgos ou desgaste demasiado e a escova metálica para ver se há arames soltos ou quebrados. Se a ferramenta ou acessório cair, verifique se há danos e, em caso positivo, instale um acessório em boas condições. Após inspecionar ou instalar um acessório, certifique-se de que os espectadores bem como você mesmo estejam afastados do acessório rotativo, e funcione a ferramenta em velocidade máxima em vazio por um minuto. Os acessórios danificados geralmente se quebram durante esta prova.**
8. **Utilize equipamento de protecção pessoal. Utilize um protector facial, óculos de segurança ou protectores oculares, conforme a aplicação. Utilize uma máscara contra pó, protectores auriculares, luvas e avental capazes de resguardar contra estilhaços ou abrasivos pequenos da peça de trabalho. Os protectores oculares devem ter capacidade de resguardar contra fragmentos gerados por diversas operações. A máscara contra pó ou de respiração deve ter capacidade de filtrar partículas geradas pela operação com a ferramenta. A exposição prolongada a ruídos de alta intensidade pode causar a perda de audição.**
9. **Mantenha os espectadores a uma distância segura da área de trabalho. Todas as pessoas que entram na área de trabalho devem utilizar equipamento de protecção pessoal. Estilhaços da peça de trabalho ou um acessório quebrado podem ser atirados e causar ferimentos além da área imediata de operação.**
10. **Segure a ferramenta pelas partes isoladas ao executar uma operação onde a ferramenta de corte possa tocar em fios ocultos ou no seu próprio fio. O contacto com um fio "ligado" carregará as partes metálicas da ferramenta e causará choque eléctrico no operador.**
11. **Coloque o fio afastado do acessório rotativo. Se perder o controlo, o fio pode ser cortado ou ficar preso e sua mão ou braço pode ser puxado para o acessório em rotação.**
12. **Nunca pouse a ferramenta eléctrica antes que o acessório tenha parado completamente. O acessório rotativo pode enganchar na superfície e descontrolar a ferramenta.**
13. **Não funcione a ferramenta eléctrica enquanto a carrega ao seu lado. O contacto acidental com o acessório rotativo pode prender as roupas, puxando o acessório na direcção do seu corpo.**
14. **Limpe os orifícios de ventilação da ferramenta eléctrica regularmente. A ventoinha do motor aspira o pó dentro da caixa e a acumulação excessiva de metal pulverizado pode causar choque eléctrico.**
15. **Não funcione a ferramenta eléctrica próximo de materiais inflamáveis. As fagulhas podem incendiar esses materiais.**
16. **Não utilize acessórios que requerem refrigerantes líquidos. A utilização de água ou outros refrigerantes líquidos pode resultar em choque ou electrocussão.**

Advertências sobre contragolpes

O contragolpe é uma reacção repentina a um disco rotativo, base protectora, escova ou qualquer outro acessório preso ou emperrado. O bloqueio causa a parada imediata do acessório rotativo que, por sua vez, causa o impulso da ferramenta descontrolada na direcção oposta à da rotação do acessório, no ponto onde foi preso.

Se o disco abrasivo ficar preso ou enroscado na peça de trabalho, por exemplo, a sua borda que está a entrar no ponto onde prende, pode entrar na superfície do material fazendo com que o disco salte ou cause um contragolpe. O disco pode pular na direcção do operador ou na direcção oposta, dependendo do sentido do movimento do disco no ponto onde foi preso. Os discos abrasivos também podem quebrar nessas circunstâncias.

O contragolpe é o resultado de utilização imprópria da ferramenta eléctrica e/ou condições ou procedimentos incorrectos para o funcionamento e pode ser evitado tomando-se as medidas de precaução relacionadas abaixo.

- a) **Segure firme a ferramenta eléctrica e posicione-se de tal forma que o seu corpo e braço permitam-lhe resistir à força do contragolpe. Utilize sempre o punho auxiliar, se fornecido, para controlo máximo sobre o contragolpe ou reacção do torque durante a partida. O operador poderá controlar as reacções do torque ou as forças do contragolpe se tomar as precauções necessárias.**
- b) **Nunca coloque as mãos perto do acessório rotativo. O acessório pode recuar sobre a sua mão.**
- c) **Posicione-se de forma a ficar afastado da área onde a ferramenta será lançada no caso de um contragolpe. O contragolpe lança a ferramenta na direcção oposta ao movimento do disco no ponto onde prende.**
- d) **Tenha cuidado especialmente ao trabalhar em cantos, arestas cortantes, etc. Evite bater com a ferramenta e prender o acessório. Os cantos, arestas cortantes ou as batidas com a ferramenta tendem a prender o acessório rotativo e causar perda de controlo ou contragolpe.**
- e) **Não instale uma lâmina para esculpir de motosserra nem uma lâmina de serra dentada. Essas lâminas criam contragolpes frequentes e perda de controlo.**

Advertências de segurança específicas para corte abrasivo:

- a) **Utilize somente os tipos de discos recomendados para a sua ferramenta eléctrica e o resguardo específico designado para o disco seleccionado. Os discos incompatíveis com a ferramenta eléctrica são impossíveis de resguardar adequadamente e não são seguros.**
- b) **O resguardo deve ser instalado firmemente na ferramenta e posicionado para máxima segurança, de forma que o mínimo do disco fique exposto na direcção do operador. O resguardo ajuda a proteger o operador contra fragmentos do disco e contacto acidental com o disco.**
- c) **Os discos devem ser utilizados somente para as aplicações recomendadas. Por exemplo: não rebarbar com a lateral do disco de corte. Como os discos abrasivos de corte são projectados para rebarbação periférica, a pressão lateral pode causar a quebra desses discos.**

- d) **Utilize sempre falanges em boas condições que sejam do tamanho e formato correctos para o disco seleccionado.** As falanges apropriadas apóiam o disco, reduzindo assim a possibilidade de quebra do disco. As falanges para discos de corte podem ser diferentes das falanges para discos de rebarbação.
- e) **Não utilize discos desgastados de ferramentas eléctricas maiores.** Os discos projectados para ferramentas eléctricas maiores não são apropriados para a alta velocidade de uma ferramenta menor e podem quebrar.

Advertências de segurança adicionais específicas para corte abrasivo:

- a) **Não entrave o disco de corte nem aplique força excessiva. Não tente efectuar um corte muito profundo.** Sujeitar o disco a esforço excessivo aumenta a carga e a susceptibilidade de torção ou emperramento do disco no corte e a possibilidade de contragolpe ou quebra do disco.
- b) **Não posicione-se atrás nem em linha com o disco em movimento.** Quando, durante a operação, o disco se move para longe de si, o possível contragolpe pode propulsar o disco em rotação e a ferramenta directamente contra você.
- c) **Se o disco ficar preso ou quando interromper o corte por qualquer motivo, desligue a ferramenta e segure-a até que o disco pare completamente. Nunca tente retirar o disco do corte enquanto o mesmo ainda estiver em rotação, caso contrário poderá ocorrer um contragolpe.** Verifique e tome as medidas correctivas para eliminar a causa do emperramento do disco.
- d) **Não reinicie a operação de corte na peça de trabalho. Aguarde até que o disco atinja a velocidade máxima e coloque-o no corte cuidadosamente.** O disco pode emperrar, pular ou contragolpear se ligar a ferramenta na peça de trabalho.
- e) **Apóie as tábuas ou peças de trabalho muito grandes para minimizar o risco do disco prender e de contragolpe.** As peças de trabalho grandes tendem a ceder sob o próprio peso. Os apoios devem ser colocados debaixo da peça de trabalho perto da linha de corte e da borda da peça de trabalho, nos dois lados.
- f) **Tenha cuidado especialmente quando fazendo um corte de perfuração numa parede ou outras zonas invisíveis.** O disco exposto pode cortar canos de gás ou de água, fios eléctricos ou outros objetos que podem causar contragolpe.

Advertências de segurança adicionais:

17. Quando utilizando uma roda de rebarbação deprimida ao centro, utilize apenas rodas reforçadas com fibra de vidro.
18. Tenha cuidado para não danificar o eixo, a falange (especialmente a superfície de instalação) nem a porca de bloqueio. Se estas peças estiverem danificadas, o disco poderá partir-se.
19. Antes de ligar a ferramenta, certifique-se que o disco não faz contacto com a peça de trabalho.

20. Antes de utilizar a ferramenta na peça de trabalho, deixe-a funcionar por alguns instantes. Verifique se há vibrações ou movimentos irregulares que possam indicar má instalação ou desbalanceamento do disco.
21. Use a superfície especificada do disco para rebarbação.
22. Tenha cuidado com as faíscas que saltam. Segure a ferramenta de modo que as faíscas não saltem na sua direcção ou na de outras pessoas e nem na direcção de materiais inflamáveis.
23. Não deixe a ferramenta a funcionar sozinha. Funcione a ferramenta somente quando estiver segurando-a.
24. Não toque na peça de trabalho imediatamente após a operação; ela poderá estar muito quente e causar queimaduras.
25. Certifique-se sempre de que a ferramenta esteja desligada e a bateria retirada antes de executar qualquer serviço de manutenção na ferramenta.
26. Observe as instruções do fabricante para montagem correcta e utilização dos discos. Manuseie e armazene os discos com cuidado.
27. Não utilize buchas de redução ou adaptadores para adaptar discos abrasivos de grande orifício.
28. Utilize só as falanges especificadas para esta ferramenta.
29. Para ferramentas destinadas a serem equipadas com discos de orifício roscado, certifique-se de que a rosca no disco tem tamanho suficiente para aceitar o comprimento do veio.
30. Verifique se a peça de trabalho está correctamente suportada.
31. Preste atenção pois o disco continua a rodar depois de desligar a ferramenta.
32. Se o local de trabalho for extremamente quente e húmido, ou muito poluído por pó condutor, utilize um disjuntor de 30 mA para assegurar uma operação segura.
33. Não utilize a ferramenta em qualquer material que contenha amianto.
34. Não utilize água ou lubrificante para rebarbar.
35. Certifique-se de que as aberturas de ventilação estão livres quando trabalha em condições poeirentas. Se se tornar necessário retirar o pó, primeiro desligue a ferramenta da alimentação (não utilize objectos metálicos) e evite estragar as partes internas.
36. Quando utiliza a roda de corte, trabalhe sempre com o resguardo da roda para recolha do pó como requerido pelas regulações domésticas.
37. Os discos de corte não devem ser sujeitos a pressão lateral.

GUARDE ESTAS INSTRUÇÕES.

AVISO:

NÃO permita que o conforto ou a familiaridade com o produto (adquirido com a utilização repetida) substitua a aderência estrita às regras de segurança da ferramenta. MÁ UTILIZAÇÃO ou não cumprimento das regras de segurança indicadas neste manual de instruções pode causar ferimentos pessoais graves.

DESCRIÇÃO DO FUNCIONAMENTO

PRECAUÇÃO:

- Antes de efectuar qualquer inspecção ou ajuste na ferramenta, verifique sempre se desligou a ferramenta e retirou a ficha da tomada de corrente .

Ajustar a profundidade de corte (Fig. 1)

Desaperte o parafuso de orelhas existente na guia de profundidade e mova a base para cima ou para baixo. Na profundidade de corte desejada, fixe a base apertando o parafuso.

Se ajustar a profundidade de corte para o máximo, tem de ajustar o resguardo do disco antes de ajustar da profundidade do corte.

Fixar o resguardo do disco (Fig. 2)

PRECAUÇÃO:

- Ajuste o resguardo do disco na ferramenta de maneira a que o lado fechado do resguardo fique virado para o operador.

Depois de desapertar a porca de fixação, pode ajustar o resguardo do disco para um ângulo de cerca de 80 graus. Ajuste para o ângulo desejado e aperte a porca de fixação.

Ação do interruptor (Fig. 3)

PRECAUÇÃO:

- Antes de ligar a ferramenta, verifique sempre se o gatilho do interruptor actua correctamente e volta à posição "OFF" quando o solta.

Para ferramentas com interruptor de travão

Para ligar a ferramenta basta puxar o gatilho do interruptor (Direcção A). Solte o gatilho do interruptor para parar. Para funcionamento contínuo puxe o gatilho do interruptor (Direcção A) e depois empurre o travão (Direcção B). Para parar a ferramenta a partir da posição de bloqueio, puxe completamente o gatilho do interruptor (Direcção A) e depois solte-o.

Para ferramentas com interruptor de desbloqueio

Para evitar puxar acidentalmente o gatilho, é fornecido um travão.

Para ligar a ferramenta, empurre o travão para dentro (direcção B) e depois puxe o gatilho do interruptor (Direcção A). Solte o gatilho do interruptor para parar.

Para ferramentas com interruptor de travão e interruptor de desbloqueio

Para evitar puxar acidentalmente o gatilho, é fornecido um travão.

Para ligar a ferramenta, empurre o travão (direcção B) e depois puxe o gatilho do interruptor (Direcção A). Solte o interruptor do gatilho para parar.

Para funcionamento contínuo, empurre o travão, (Direcção B) puxe o gatilho do interruptor (Direcção A) e depois empurre mais o travão (Direcção B).

Para parar a ferramenta a partir da posição de bloqueio, puxe completamente o gatilho do interruptor (Direcção A) e depois solte-o.

MONTAGEM

PRECAUÇÃO:

- Antes de efectuar qualquer inspecção ou manutenção na ferramenta, desligue sempre a ferramenta e retire a ficha da tomada de corrente.

Instalar e retirar o disco (Fig. 4 e 5)

Para retirar o disco, faça pressão sobre o travão do veio para o manter estacionário e depois desaperte o parafuso hexagonal no sentido dos ponteiros do relógio com a chave de caixa.

Para instalar o disco, coloque o prato com o lado parcialmente elevado virado para a ferramenta e depois coloque o anel antes de instalar o disco no veio (eixo) e o outro prato com o lado parcialmente elevado virado para fora.

Verifique se apertou bem o parafuso hexagonal no sentido contrário ao dos ponteiros do relógio depois de montar o novo disco, pois se não o fizer o funcionamento é perigoso.

PRECAUÇÃO:

- Utilize apenas chaves Dolmar para instalar ou retirar o disco.

FUNCIONAMENTO

PRECAUÇÃO:

Puxe a ferramenta quando cortar uma peça.

- Utilize esta ferramenta apenas para cortes em linha recta. Se cortar em curva pode provocar rachas devido à tensão ou fragmentar o disco de diamante e do disco abrasivo podendo ferir as pessoas que se encontrarem nas proximidades.
- Depois da operação, desligue sempre a ferramenta e espere até que o disco pare completamente antes de pousar a ferramenta.
- Quando cortar blocos de betão, azulejos ou materiais de pedra, não faça cortes com uma profundidade superior a 60 mm. Se precisar de cortar uma peça com uma profundidade de 60 mm a 100 mm, faça mais de duas passagens de corte. A profundidade do corte mais eficaz é de cerca de 40 mm.

Segure na ferramenta com firmeza com ambas as mãos. Primeiro não deixe o disco entrar em contacto com a peça a cortar. Depois ligue a ferramenta e espere até atingir a velocidade total.

O corte é feito puxando a ferramenta para si (não afastando a ferramenta de si). Alinhe a ranhura da base com a linha de corte quando executar um corte.

Quando terminar um corte pouse a ferramenta e depois desligue-a. Levante a ferramenta depois do disco parar completamente. (Fig. 6)

MANUTENÇÃO

PRECAUÇÃO:

- Antes de efectuar qualquer inspecção ou manutenção, desligue sempre a ferramenta e retire a ficha da tomada de corrente.
- Nunca utilize gasolina, benzina, diluente, álcool ou produtos semelhantes. Pode ocorrer a descoloração, deformação ou rachaduras.

Preparar o disco de diamante

Se a eficiência de corte do disco de diamante começar a diminuir, utilize um disco velho de uma esmeriladora de bancada com uma textura áspera velho ou um bloco de betão para preparar o disco de diamante. Para o fazer, prenda bem o disco da esmeriladora de bancada ou o bloco de betão e corte-o.

Substituir as escovas de carvão (Fig. 7 e 8)

Se a ponta isolante de resina existente dentro da escova de carvão entrar em contacto com o comutador, o motor pára automaticamente. Se isso acontecer, substitua ambas as escovas de carvão. Mantenha as escovas de carvão limpas e a deslizar livremente nos suportes. Deve substituir ambas as escovas de carvão ao mesmo tempo. Utilize apenas escovas de carvão idênticas.

Levante ligeiramente uma das extremidades da tampa de pó com as mãos, para fazer aparecer a tampa do porta escovas.

Utilize uma chave de parafusos para retirar as tampas do porta escovas. Retire as escovas de carvão usadas, introduza escovas novas e prenda as tampas do porta escovas.

Para manter a SEGURANÇA e FIABILIDADE, as reparações e outras acções de manutenção ou ajustes devem ser executados pelos Centros de assistência autorizados da Dolmar, utilizando sempre peças de substituição Dolmar.

ACESSÓRIOS OPCIONAIS

PRECAUÇÃO:

- Estes acessórios ou peças extra são recomendadas para utilização com a sua ferramenta Dolmar especificada neste manual. A utilização de qualquer outros acessórios ou peças extra podem apresentar o risco de ferimentos. Só utilize os acessórios ou peças extras para o fim a que são destinados.

Se necessitar de informações adicionais relativas a estes acessórios, solicite-as ao seu centro de assistência Dolmar.

- Discos de diamante (Tipo seco)
- Discos de corte abrasivos
- Chave de caixa 17
- Óculos de protecção
- Anel 20
- Junta em cotovelo

Ligar a um aspirador (Fig. 9)

Se quiser executar uma operação mais limpa, ligue um aspirador à ferramenta. Ligue uma mangueira do aspirador ao bocal de pó utilizando uma junta em cotovelo (acessório).

NOTA:

- Alguns itens da lista podem estar incluídos na embalagem da ferramenta como acessórios padrão. Eles podem variar de país para país.

ENG102-3

Ruído

A característica do nível de ruído A determinado de acordo com EN60745:

Para modelo EC-2412

Nível de pressão de som (L_{pA}): 101 dB (A)

Nível do som (L_{WA}): 112 dB (A)

Variabilidade (K): 3 dB (A)

Para modelo EC-2414

Nível de pressão de som (L_{pA}): 103 dB (A)

Nível do som (L_{WA}): 114 dB (A)

Variabilidade (K): 3 dB (A)

Utilize protectores para os ouvidos

Vibração

Valor total da vibração (soma vectorial tri-axial) determinado conforme EN60745:

Para modelo EC-2412

Modo de funcionamento: corte em betão

Emissão de vibração (a_{h1}): 2,5 m/s²

Variabilidade (K): 1,5 m/s²

Para modelo EC-2414

Modo de funcionamento: corte em betão

Emissão de vibração (a_{h1}): 3,0 m/s²

Variabilidade (K): 1,5 m/s²

ENG901-1

- O valor da emissão de vibração indicado foi medido de acordo com o método de teste padrão e pode ser utilizado para comparar duas ferramentas.
- O valor da emissão de vibração indicado pode também ser utilizado na avaliação preliminar da exposição.

AVISO:

- A emissão de vibração durante a utilização real da ferramenta eléctrica pode diferir do valor de emissão indicado, dependendo das formas como a ferramenta é utilizada.
- Certifique-se de identificar as medidas de segurança para protecção do operador que sejam baseadas em uma estimativa de exposição em condições reais de utilização (considerando todas as partes do ciclo de operação, tal como quando a ferramenta está desligada e quando está a funcionar em marcha lenta além do tempo de accionamento).

ENH025-3

Só para países Europeus

Declaração de conformidade CE

Os abaixo assinados, Tamiro Kishima e Rainer Bergfeld, autorizados por Dolmar GmbH, declaram que a(s) máquina(s) Dolmar:

Designação da ferramenta: Frezadora de cabeça angular

Modelos n°/Tipo: EC-2412, EC-2414

são de produção de série e

Em conformidade com as seguintes directivas europeias:

2006/42/CE

E estão fabricados de acordo com as seguintes normas ou documentos normativos:

EN60745

A documentação técnica encontra-se arquivada em:

Dolmar GmbH,

Jenfelder Straße 38, Abteilung FZ,

D-22045 Hamburg

30.1.2009



Tamiro Kishima
Director Gerente




Rainer Bergfeld
Director Gerente

Illustrationsoversigt

1 Vingebolt	10 Flange	19 Kulbørste
2 Base	11 Ring	20 Støvdæksel
3 Snitdybde	12 Klinge	21 Skruetrækker
4 Spændemøtrik	13 Flange	22 Kulholderdæksel
5 Klingeafsærmning	14 Sekskantbolt	23 Sugestuds
6 Afbryder	15 Indhak	24 Støvsugeradapter
7 Låsearm	16 Snitlinje	25 Slange
8 Spindellås	17 Kommutator	
9 Topnøgle	18 Ikke-ledende spids	

SPECIFIKATIONER

Model	EC-2412	EC-2414
Klangediameter	305 mm	355 mm
Maksimal snitkapacitet	100 mm	125 mm
Ubelastet hastighed (min ⁻¹)	5 000	3 500
Længde	648 mm	675 mm
Vægt	11,4 kg	12,8 kg
Sikkerhedsklasse	 /II	

- På grund af vores kontinuerlige forsknings- og udviklingsprogrammer kan hosstående specifikationer blive ændret uden varsel.
- Specifikationer kan variere fra land til land.
- Vægt i henhold til EPTA-Procedure 01/2003

Tilsigtet anvendelse

Denne maskine er beregnet til fræsning af spor i betonvægge eller fræsning i jernmaterialer eller betonafløbskanaler med en diamantklinge, men uden anvendelse af vand.

Netspænding

Maskinen må kun tilsluttes den netspænding, der er angivet på typeskiltet. Maskinen arbejder på enkeltfaset vekselspænding og er dobbeltisoleret iht. de europæiske normer og må derfor tilsluttes en stikkontakt uden jordtilslutning.

GEA010-1

Almindelige sikkerhedsregler for el-værktøj

⚠ ADVARSEL! Læs alle sikkerhedsadvarsler og alle sikkerhedsinstruktioner. Hvis nedenstående advarsler og instruktioner ikke overholdes, kan resultatet blive elektrisk stød, brand og/eller alvorlig personskade.

Gem alle advarsler og instruktioner til fremtidig reference.

GEA042-2

SIKERHEDSADVARSLER FOR DIAMANTSKÆREMASKINE

Almindelige sikkerhedsforskrifter for arbejde med afskæring:

1. Denne maskine er beregnet til at fungere som et afskæringsværktøj. Læs alle de sikkerhedsadvarsler, instruktioner, illustrationer og specifikationer, som følger med denne maskine. Forsømmelse af at følge alle instruktionerne herunder kan resultere i elektrisk stød, brand og/eller alvorlig tilskadekomst.

2. Det anbefales ikke at udføre operationer som for eksempel slibning, stålborstning polering med denne maskine. Anvendelse, som maskinen ikke er beregnet til, kan være farligt og føre til personskade.
3. Anvend ikke tilbehør, som ikke er specifikt lavet og anbefalet af maskinens fabrikant. Den omstændighed, at tilbehøret kan monteres på din maskine, er ingen garanti for, at anvendelsen bliver sikkerhedsmæssig forsvarlig.
4. Tilbehøret skal være beregnet til mindst den nominelle hastighed, som er anført på maskinen. Tilbehør, som kører med en større hastighed end den, som tilbehøret er beregnet til, kan brække og slynges af.
5. Tilbehørets ydre diameter og tykkelse skal være inden for din maskines kapacitet. Tilbehør med en forøret størrelse kan ikke beskyttes eller styres tilstrækkeligt.
6. Dornstørrelsen på skiver, flanger, bagskiver eller andet tilbehør skal passe nøjagtigt til spindelen på maskinen. Tilbehør med dornhuller, som ikke passer til maskinens monteringsdele, vil miste balancen, vibrere ekstremt og kan føre til tab af kontrol.
7. Anvend ikke beskadiget tilbehør. Inspicer altid tilbehøret inden brugen, som for eksempel slibe-skiver, for skår og revner, bagskiven for revner, slitage eller ekstrem nedslidning, stålborsten for løse eller revnede tråde. Hvis maskinen eller tilbehøret tabes, skal de efterses for skade, eller en ubeskadiget tilbehørsdel skal monteres. Efter inspektion og montering af tilbehør, skal De og omkringstående stå på god afstand af det roterende tilbehørs høvl, og maskinen skal køres på højeste, ubelastede hastighed i et minut. Beskadiget tilbehør vil normalt brække under prøvetiden.
8. Anvend personligt beskyttelsesudstyr. Afhængigt af brugen skal der anvendes beskyttelsesbriller eller sikkerhedsbriller. Anvend, alt efter forholdene, støvmaske, hørevern, handsker og forklæde, som kan stoppe mindre skarpe dele eller dele fra arbejdsområdet. Øjenbeskyttelsen skal kunne stoppe afslyngede stykker, som er frembragt af forskelligt arbejde. Støvmaske og respirator skal kunne stoppe filteringspartikler, som er frembragt af arbejdet. Længere tids udsættelse for støj af høj intensitet kan føre til høretab.

9. **Hold tilskuere på god afstand af arbejdsområdet. Enhver person, som befinder sig i arbejdsområdet, skal bære personligt beskyttelsesudstyr.** Fragmenter fra arbejdsemner eller fra brækket tilbehør kan blive slynget af og være årsag til tilskadekomst, også uden for det umiddelbare arbejdsområde.
10. **Hold kun maskinen i de isolerede håndtagsflader, når der udføres et arbejde, hvor det skærende tilbehør kan komme i berøring med skjulte ledninger eller dets egen ledning.** Skærende tilbehør, som kommer i berøring med en strømførende ledning, kan bevirke, at udsatte metaldele af maskinen bliver ledende, hvorved operatøren kan få stød.
11. **Anbring altid ledningen, så den ikke kommer i kontakt med drejende tilbehør.** Hvis De mister herredømmet over maskinen, kan ledningen blive skåret over, og Deres hånd eller arm kan komme i kontakt med det roterende tilbehør.
12. **Læg aldrig maskinen fra Dem, før tilbehøret er stoppet fuldstændigt.** Det roterende tilbehør kan gribe fat i overfladen, hvilket kan bevirke, at De mister herredømmet over maskinen.
13. **Lad ikke maskinen køre, mens De bærer den ved siden.** Utilsigtet kontakt med det roterende tilbehør kan gribe fat i tøjet og derved trække tilbehøret ind mod kroppen.
14. **Rengør maskinens ventilationsåbninger med jævne mellemrum.** Motorens vifte vil trække støv ind i huset, og en kraftig ophobning af metalstøv kan skabe elektrisk fare.
15. **Anvend ikke maskinen i nærheden af brændbare materialer.** Disse materialer kan blive antændt af gnister.
16. **Anvend ikke tilbehør, der kræver kølevæske.** Anvendelse af vand eller anden kølevæske kan resultere i dødelige stød eller elektriske stød.

Tilbageslag og relaterede advarsler

Tilbageslag er en pludselig reaktion på en fastklemt eller blokeret roterende skive, bagskive eller andet tilbehør. En fastklemt eller blokeret del forårsager hurtigt standsning af det roterende tilbehør, som derved bliver årsag til, at den ukontrollerede maskine bliver tvunget i den modsatte retning ved punktet for bindingen.

Hvis for eksempel en slibeskive er blokeret eller fastklemt af arbejdsområdet, kan kanten på skiven, som går ind i fastklemningspunktet, grave sig ind i materialets overflade og derved bevirke, at skiven kommer ud eller presses ud. Skiven kan enten slynges mod eller bort fra operatøren, afhængigt af skivens bevægelse på fastklemningspunktet. Slibeskiver kan også brække under disse forhold. Tilbageslag er resultatet af misbrug af maskinen og/eller fejlagtig anvendelse eller forkerte brugsforhold og kan undgås ved at man tager de rigtige forholdsregler som vist herunder.

- a) **Hold godt fast i maskinen og hold kroppen og armen således, at De kan modvirke tilbageslagskraften.** Anvend altid hjælpéhåndtaget, hvis et sådant medfølger, til at opnå maksimal kontrol af tilbageslag og drejningsmoment under starten. Operatøren kan kontrollere drejningsmomentreaktion eller tilbageslagskraft, hvis de rigtige forholdsregler tages.
- b) **Anbring aldrig hænderne i nærheden af roterende tilbehør.** De risikerer at få hånden ind i tilbageslagets bane.

- c) **Stil Dem ikke i det område, hvor maskinen vil bevæge sig, hvis der opstår tilbageslag.** Tilbageslag vil slynge maskinen i den modsatte retning af hjulets omdrejning på blokeringsstidspunktet.
- d) **Vær særlig omhyggelig, når De arbejder på hjørner, skarpe kanter etc. Undgå at bumpe eller bløkkere tilbehøret.** Hjørner, skarpe kanter eller bumpen har tendens til at blokere det roterende tilbehør og forårsage tab af kontrol eller tilbageslag.
- e) **Monter ikke en kædesavs træskekærling eller en savklinge med tænder.** Sådanne klinger giver hyppige tilbageslag og tab af kontrol.

Særlige sikkerhedsforskrifter for arbejde med afskæring:

- a) **Anvend kun skivetyper, som anbefales til din maskine og den specielle beskyttelseskærm, som er beregnet til den valgte skive.** Skiver, for hvilke maskinen ikke er beregnet, kan ikke afskæres tilstrækkeligt og er ikke sikkerhedsmæssigt forsvarlige.
- b) **Beskyttelseskærmen skal være ordentligt monteret på maskinen og placeret, så den optimale sikkerhed opnås, således at mindst muligt af skiven vender mod operatøren.** Beskyttelseskærmen bidrager til at beskytte operatøren mod afbrækkede skivefragmenter og utilsigtet kontakt med skiven.
- c) **Skiver må kun anvendes til de anbefalede opgaver.** For eksempel: slib ikke med siden af en afskæringsskive. Slibende afskæringsskiver er beregnet til periferisk slibning. Hvis disse skiver udsættes for sidetryk, kan resultatet blive, at de brækker.
- d) **Anvend altid ubeskadigede skiveflanger, som har den rigtige størrelse og form til den valgte skive.** Rigtige skiveflanger støtter skiven, hvorved risiko for skivebrud nedsættes. Flanger til afskæringsskiver kan være anderledes end slibeskiveflanger.
- e) **Anvend ikke nedslidte skiver fra andre maskiner.** Skiver, som er beregnet til større maskiner, er ikke egnede til en mindre maskines højere hastighed og kan brække.

Supplerende sikkerhedsforskrifter for arbejde med slibende afskæring:

- a) **Vær påpasselig med ikke at "klemme" skæreskiven fast eller udsætte den for et ekstremt tryk. Forsøg ikke at lave en for stor skæredybde.** Et for stort pres på skiven vil øge belastningen og risikoen for at skiven vrider eller binder i snittet med risiko for tilbageslag eller brud på skiven til følge.
- b) **Stå ikke på linje med eller bag den roterende skive.** Når skiven under anvendelse drejer bort fra Dem, kan et muligt tilbageslag bevirke, at den roterende skive og maskinen slynges direkte mod Dem.
- c) **Hvis skiven binder eller hvis en skæring af en eller anden årsag afbrydes, skal De slukke for maskinen og holde den ubevægelig, indtil skiven er holdt helt op med at dreje.** Forsøg aldrig at fjerne afskæringsskiven fra snittet, mens skiven er i bevægelse, da dette kan føre til tilbageslag. Undersøg problemet og tag de rigtige forholdsregler for at eliminere årsagen til at skiven binder.

- d) Lad være med at starte skæringen i arbejdsemnet. Lad skiven komme op på fuld hastighed og gå derefter forsigtigt ind i snittet igen. Skiven kan binde, presses op eller give tilbageslag, hvis maskinen startes igen i arbejdsemnet.
- e) Understøt paneler eller alle arbejdsemner i overstørrelse for at minimere risikoen for fastklemning af skiven og tilbageslag. Store arbejdsemner har tendens til at synke sammen under deres egen vægt. Der skal derfor anbringes støtteanordninger under arbejdsemnet i nærheden af snitlinjen og nær kanten på arbejdsstykket på begge sider af skiven.
- f) Vær ekstra forsigtig, når De laver et "lommensnit" i eksisterende vægge eller andre blinde områder. Den fremspringende skive kan komme til at skære i gas- og vandrør, elektriske ledninger eller genstande, som kan forårsage tilbageslag.
34. Benyt ikke vand eller slibesmøremiddel.
35. Sørg for at ventilationsåbningerne holdes rene, når der arbejdes under støvede forhold. Hvis det skulle blive nødvendigt at fjerne ophobet støv, skal maskinen først afbrydes fra lysnettet (benyt ikke-metalliske genstande til rengøringen) og påpasselig skal udvises, så indvendige dele ikke beskadiges.
36. Anvend altid den støvopsamlende beskyttelses-skærm, som er påkrævet ifølge de lokale regler, når skæreskiven anvendes.
37. Skæreskiver må ikke udsættes for tryk fra siden.

GEM DISSE FORSKRIFTER.

ADVARSEL:

Lad IKKE bekvemmelighed eller kendskab til produktet (opnået gennem gentagen anvendelse) erstatte nøje overholdelse af sikkerhedsreglerne for det pågældende produkt. FEJLAGTIG BRUG eller for-sømmelse af overholdelse af sikkerhedsforskrif-terne i denne brugsvejledning kan resultere i alvorlig personskade.

FUNKTIONSBESKRIVELSE

FORSIGTIG:

- Sørg altid for at maskinen er slukket og netstikket er trukket ud, før der udføres justering eller eftersyn af maskinens funktioner.

Justering af snitdybde (Fig. 1)

Løsn vingebolten på dybdestoppet, og flyt basen op eller ned. Når den ønskede snitdybde er fundet, fastgøres basen ved at vingebolten strammes til.

I de tilfælde, hvor De indstiller snitdybden til den maksi-male, skal De altid sørge for at foretage justering af snit-dybden, efter at klingeaftskærmningen er blevet justeret.

Fastgørelse af klingeaftskærmning (Fig. 2)

FORSIGTIG:

- Klingeaftskærmningen skal justeres på maskinen, såle-des at den lukkede side af afskærmningen altid peger mod operatøren.

Klingeaftskærmningen kan justeres cirka 80 grader, efter at De har løsnet spændemøtrikken. Indstil til den ønskede vinkel, og stram derefter spændemøtrikken til.

Afbryderbetjening (Fig. 3)

FORSIGTIG:

- For maskinen slutes til lysnettet, skal De altid kontrol-lere, at afbryderen fungerer korrekt og vender tilbage til "OFF" position, når den slippes.

For maskine forsynet med arreteringsknap

Tryk ganske enkelt på afbryderen for at starte maskinen (A retning). Slip afbryderen for at stoppe.

Ved vedvarende arbejde trykkes afbryderen ind (A retning), hvorefter spærrearmen trykkes ind (B retning).

For at stoppe maskinen fra den låste position trykkes afbryderen helt i bund (A retning), hvorefter den slippes.

For maskine forsynet med spærreknap

Denne maskintype er forsynet med en spærrearm til at forhindre, at afbryderen ved en fejltagelse bliver trykket ind.

Start maskinen ved at trykke spærrearmen ind (B retning), og tryk derefter på afbryderen (A retning). Slip afbryderen for at stoppe.

Supplerende sikkerhedsforskrifter:

17. Hvis der anvendes forkrøppet centerslibeskeve, skal man sørge for kun at anvende fiberglasfor-stærkede skiver.
18. Vær påpasselig med ikke at komme til at beska-dige spindelen, flangen (specielt monteringsfla-den) eller låsemøtrikken. Beskadigelse af disse dele kan resultere i at skiven brækker.
19. Sørg for, at skiven ikke er i berøring med arbejdsemnet, inden De tænder for maskinen med afbryderen.
20. Inden De begynder at anvende maskinen på et rigtigt arbejdsemne, skal De lade den køre i et stykke tid. Vær opmærksom på vibrationer eller slør, som kan være tegn på dårlig montering eller en forkert afbalanceret skive.
21. Anvend den specificerede overflade på skiven til at udføre slibningen.
22. Vær på vagt over for flyvende gnister. Hold maskinen således, at gnister flyver væk fra Dem, andre personer og antændeligt materiale.
23. Læg ikke maskinen fra Dem, mens den stadig kører. Anvend kun maskinen som håndværktøj.
24. Berør ikke arbejdsemnet lige efter at arbejdet er udført. Det kan blive meget varmt og være årsag til forbrændinger.
25. Sørg altid for, at maskinen er afbrudt og taget ud af forbindelse eller at akkuen er taget ud, inden De udfører noget arbejde på maskinen.
26. Overhold altid fabrikantens instruktioner for kor-rekt montering og anvendelse af skiver. Behandl og opbevar skiver med forsigtighed.
27. Anvend ikke en separat bøsning eller adapter til at tilpasse slibeskiver med store centerhuller til maskinen.
28. Anvend kun de anbefalede flanger til denne maskine.
29. Ved anvendelse af maskiner, der er beregnet til montering af slibeskiver med gevindforsynet hul, skal det altid sikres, at gevindet i skiven er langt nok i forhold til spindellængden.
30. Kontrollér at emnet er korrekt understøttet.
31. Forsigtig! Skiven fortsætter med at rotere, efter at der slukket for maskinen.
32. Hvis arbejdsstedet er ekstremt varmt eller fug-tigt, eller slemt tilsnævset med ledende støv, bør der anvendes en kortslutningsafbryder (30 mA) for at garantere sikkerheden under arbejdet.
33. Anvend aldrig maskinen på materialer, der indeholder asbest.

For maskine forsynet med arreteringsknap og spærreknop

Denne maskintype er forsynet med en spærrearm til at forhindre, at afbryderen ved en fejltagelse bliver trykket ind.

Start maskinen ved at trykke spærrearm ind (B retning), og tryk derefter på afbryderen (A retning). Slip afbryderen for at stoppe.

Ved vedvarende arbejde trykkes spærrearmen ind (B retning), tryk på afbryderen (A retning), og tryk derefter spærrearmen længere ind (B retning).

For at stoppe maskinen fra den låste position trykkes afbryderen helt i bund (A retning), hvorefter den slippes.

SAMLING

FORSIGTIG:

- Sørg altid for at maskinen er slukket, og netstikket er trukket ud, før der udføres noget arbejde på maskinen.

Montering eller afmontering af klingens (Fig. 4 og 5)

For at afmontere klingens trykkes spindelåsen ind for at forhindre spindelåsen i at dreje med, hvorefter sekskantboltens løses ved at dreje den med uret med topnøglen. For at montere en klinge placeres flangen med dens delvist forhøjede side vendende mod maskinen, hvorefter ringen anbringes, før der monteres en klinge på spindlen (akslen), og med den anden flange med dens delvist forhøjede side vendende udad.

Sørg for at stramme sekskantboltens helt til mod uret, efter montering af den nye klinge, ellers vil det være farligt at anvende maskinen.

FORSIGTIG:

- Anvend kun Dolmar nøglen ved montering eller afmontering af klingens.

BETJENING

FORSIGTIG:

Sørg for at trække maskinen, når der skæres i et emne.

- Anvend kun denne maskine til at foretage lige snit. Fræsning af buer kan give anledning til spændinger, der kan lede til revner i, eller sønderdeling af diamantklingen eller en afstukket silbeklinge, hvilket kan resultere i tilskadekomst for personer i nærheden.
- Efter anvendelse skal De altid slukke for maskinen, og vente, indtil klingens står helt stille, før De stiller maskinen fra Dem.
- Ved snit i betonblokke, fliser eller murværk må der ikke udføres et snit med en dybde på mere end 60 mm. Hvis De har behov for at skære i et emne over 60 mm og op til 100 mm, skal De foretage mere end to fremføringer. Den mest effektive snitdybde er omkring 40 mm.

Hold godt fast på maskinen med begge hænder. Hold først maskinen, så klingens ikke er i kontakt med det emne, der skal skæres. Tænd derefter for maskinen, og vent, indtil klingens opnår fuld hastighed.

Snittet foretages ved at De trækker maskinen mod Dem selv (De må ikke skubbe væk fra Dem selv). Ret indhaket på basen ind efter snitlinjen for at udføre et snit.

Sluk for maskinen i den position, hvor et snit er afsluttet. Hæv maskinen, efter at klingens står helt stille. (Fig. 6)

VEDLIGEHOLDELSE

FORSIGTIG:

- Sørg altid for at maskinen er slukket og netstikket er trukket ud, før der udføres eftersyn eller vedligeholdelse.
- Anvend aldrig benzin, rensebenzin, fortynder, alkohol og lignende. Resultatet kan blive misfarvning, deformation eller revner.

Afretning af diamantklinge

Hvis diamantklingens skæreeffekt begynder at aftage, kan De anvende en gamle udtjent grovkornet bænklibemaskineskive eller betonblok til at afrette diamantskiven. Afretning udføres ved at grovkornsskiven eller betonblokken fastgøres forsvarligt, hvorefter den skæres.

Udskiftning af kulbørster (Fig. 7 og 8)

Når den ikke-ledende kunstharpiksspids inde i kulbørsten bliver blottet og kontakter kommutatoren, vil det automatisk slukke motoren. Når dette sker, skal begge kulbørster udskiftes. Hold kulbørsterne rene, så de ubesværet glider ind i holderne. Begge kulbørster skal udskiftes samtidigt. Brug kun identiske kulbørster.

Træk en ende af støvdækslet lidt op med fingrene, således at kulholderdækslet kommer til syne.

Benyt en skruetrækker til at fjerne kuldækslerne. Tag de slidte kulbørster ud, sæt de nye i, og fastgør kulholderdækslerne.

For at opretholde produktets SIKKERHED og PÅLIDELIGHED bør reparation, vedligeholdelse og justering kun udføres af et Dolmar Service Center med anvendelse af original Dolmar udskiftningsdele.

EKSTRAUDSTYR

FORSIGTIG:

- Dette udstyr og tilbehør bør anvendes sammen med Deres Dolmar maskine, sådan som det er beskrevet i denne brugsanvisning. Anvendelse af andet udstyr eller tilbehør kan udgøre en risiko for personskade. Tilbehøret bør kun anvendes til det, det er beregnet til.

Hvis De behøver hjælp ved valg af tilbehør eller ønsker yderligere informationer, bedes De kontakte Deres lokale Dolmar service center.

- Diamantklinger (tørnsnit)
- Afstukket silbeskive
- Topnøgle 17
- Sikkerhedsbriller
- Ring 20
- Støvsugeradapter

Tilslutning til en støvsuger (Fig. 9)

Når De ønsker at udføre arbejdet på renere vis, kan De tilslutte en støvsuger til maskinen. Tilslut slangen fra en støvsuger til sugestudsens via en støvsugeradapter (tilbehør).

BEMÆRK:

- Nogle ting på denne liste kan være inkluderet i værktøjspakken som standardtilbehør. Det kan være forskellige fra land til land.

Lyd

Det typiske A-vægtede støjniveau bestemt i overensstemmelse med EN60745:

For model EC-2412

Lydtryksniveau (L_{pA}): 101 dB (A)

Lydeffektniveau (L_{WA}): 112 dB (A)

Usikkerhed (K): 3 dB (A)

For model EC-2414

Lydtryksniveau (L_{pA}): 103 dB (A)

Lydeffektniveau (L_{WA}): 114 dB (A)

Usikkerhed (K): 3 dB (A)

Bær høreværn

ENG229-2

Vibration

Vibrations totalværdi (tre-aksial vektorsum) bestemt i overensstemmelse med EN60745:

For model EC-2412

Arbejdsindstilling: skæring i beton

Vibrationsafgivelse (a_h): 2,5 m/s²

Usikkerhed (K): 1,5 m/s²

For model EC-2414

Arbejdsindstilling: skæring i beton

Vibrationsafgivelse (a_h): 3,0 m/s²

Usikkerhed (K): 1,5 m/s²

ENG901-1

- Den angivne vibrationsemmissionsværdi er blevet målt i overensstemmelse med standardtestmetoden og kan anvendes til at sammenligne en maskine med en anden.
- Den angivne vibrationsemmissionsværdi kan også anvendes i en preliminær eksponeringsvurdering.

ADVARSEL:

- Vibrationsemissionen under den faktiske anvendelse af maskinen kan være forskellig fra den erklærede emissionsværdi, afhængigt af den måde, hvorpå maskinen anvendes.
- Sørg for at identificere de sikkerhedsforskrifter til beskyttelse af operatøren, som er baseret på en vurdering af eksponering under de faktiske brugsforhold (med hensyntagen til alle dele i brugscyklen, som f.eks. de gange, hvor maskinen er slukket og når den kører i tomgang i tilgift til afbrydertiden).

Kun for lande i Europa**EU-konformitetserklæring**

Undertegnede Tamiro Kishima og Rainer Bergfeld, som autoriseret af Dolmar GmbH, erklærer at Dolmar maskinen (maskinerne):

Maskinens betegnelse: Diamantskæremaskine

Model nr./Type: EC-2412, EC-2414

er af serieproduktion og

opfylder betingelserne i de følgende EU-direktiver:

2006/42/EU

og er fremstillet i overensstemmelse med de følgende standarder eller standardiserede dokumenter:

EN60745

Den tekniske information opbevares hos:

Dolmar GmbH,

Jenfelder Straße 38, Abteilung FZ,

D-22045 Hamburg

30.1.2009



Tamiro Kishima
Administrerende direktør




Rainer Bergfeld
Administrerende direktør

Περιγραφή γενικής άποψης

1 Μπουλόνι με πτερύγια	10 Παρέμβυσμα	19 Ψήκτρα άνθρακα
2 Βάση	11 Δακτύλιος	20 Κάλυμμα σκόνης
3 Βάθος κοπής	12 Τροχός	21 Κατσαβίδι
4 Παξιμάδι σύσφιγξης	13 Παρέμβυσμα	22 Καπάκι θήκης ψήκτρας
5 Προστατευτικό τροχού	14 Εξάγωνο μπουλόνι	23 Στόμιο σκόνης
6 Σκανδάλη διακόπτης	15 Εγκοπή	24 Αρθρωση αγκώνα
7 Μοχλός ασφάλισης	16 Γραμμή κοπής	25 Σωλήνας
8 Ασφάλιση άξονα	17 Μεταλλάκτης	
9 Κοίλο κλειδί	18 Ακρο μόνωσης	

ΤΕΧΝΙΚΑ ΧΑΡΑΚΤΗΡΙΣΤΙΚΑ

GEB042-2

Μοντέλο	EC-2412	EC-2414
Διάμετρος τροχού	305 χιλ.	355 χιλ.
Μεγ. ικανότητα κοπής	100 χιλ.	125 χιλ.
Ταχύτητα χωρίς φορτίο (λεπ ⁻¹)	5 000	3 500
Ολικό μήκος	648 χιλ.	675 χιλ.
Καθαρό βάρος	11,4 Χγρ	12,8 Χγρ
Κατηγορία ασφάλειας	 /II	

- Λόγω του συνεχιζόμενου προγράμματος έρευνας και ανάπτυξης, οι παρούσες προδιαγραφές υπόκεινται σε αλλαγή χωρίς προειδοποίηση.
- Οι προδιαγραφές μπορεί να διαφέρουν από χώρα σε χώρα.
- Βάρος σύμφωνα με διαδικασία EPTA 01/2003

Προοριζόμενη χρήση

Το εργαλείο προορίζεται για να κάνει αυλακώσεις σε τοίχους από σκυρόδεμα ή για να κόβει σε σιδηρούχα υλικά ή σκυρόδεμα, κανάλια αποστράγγισης με διαμαντένιο τροχό αλλά χωρίς χρήση νερού.

Ρευματοδότηση

Το μηχάνημα πρέπει να συνδέεται μόνο σε παροχή ρεύματος της ίδιας τάσης με αυτή που αναφέρεται στην πινακίδα κατασκευαστού και μπορεί να λειτουργήσει μόνο με εναλλασσόμενο μονοφασικό ρεύμα. Τα μηχανήματα αυτά έχουν διπλή μόνωση σύμφωνα με τα Ευρωπαϊκά Πρότυπα και κατά συνέπεια, μπορούν να συνδεθούν σε ακροδέκτες χωρίς σύρμα γείωσης.

GEA010-1

Γενικές προειδοποιήσεις ασφαλείας για το ηλεκτρικό εργαλείο

⚠️ ΠΡΟΕΙΔΟΠΟΙΗΣΗ Διαβάστε όλες τις προειδοποιήσεις ασφαλείας και όλες τις οδηγίες. Η μη τήρηση των προειδοποιήσεων και οδηγιών ενδέχεται να καταλήξει σε ηλεκτροπληξία, πυρκαγιά ή/και σοβαρό τραυματισμό.

Φυλάξτε όλες τις προειδοποιήσεις και τις οδηγίες για μελλοντική παραπομπή.

ΠΡΟΕΙΔΟΠΟΙΗΣΕΙΣ ΑΣΦΑΛΕΙΑΣ ΓΩΝΙΑΚΟΥ ΚΟΦΤΗ

Προειδοποιήσεις ασφαλείας, κοινές για εργασίες κοπής:

1. Αυτό το ηλεκτρικό εργαλείο προορίζεται για χρήση ως εργαλείο κοπής. Διαβάστε όλες τις προειδοποιήσεις ασφαλείας, οδηγίες, εικονογραφήσεις και προδιαγραφές που παρέχονται με αυτό το ηλεκτρικό εργαλείο. Αμέλεια να ακολουθήσετε όλες τις οδηγίες που αναγράφονται παρακάτω μπορεί να έχει ως αποτέλεσμα ηλεκτροπληξία, φωτιά ή/και προσωπικό τραυματισμό.
2. Δεν συνιστάται η εκτέλεση εργασιών λείανσης, καθαρισμού με συρματόβουρτσα, στίλβωσης με αυτό το ηλεκτρικό εργαλείο. Λειτουργίες για τις οποίες το ηλεκτρικό αυτό εργαλείο δεν έχει σχεδιαστεί μπορεί να δημιουργήσουν κίνδυνο και να προκαλέσουν προσωπικό τραυματισμό.
3. Μη χρησιμοποιείτε εξαρτήματα που δεν είναι ειδικά σχεδιασμένα και συνιστώμενα από τον κατασκευαστή του εργαλείου. Απλώς και μόνο επειδή το εξάρτημα μπορεί να προσαρτηθεί στο εργαλείο, αυτό δεν εξασφαλίζει ασφαλή λειτουργία.
4. Η ονομαστική ταχύτητα του εξαρτήματος πρέπει να είναι τουλάχιστον ίση με την μέγιστη ταχύτητα που είναι σημειωμένη στο ηλεκτρικό εργαλείο. Εξαρτήματα που λειτουργούν ταχύτερα από την ονομαστική ταχύτητα τους μπορεί να σπάσουν και να εκτοξευθούν.
5. Η εξωτερική διάμετρος και το πάχος του εξαρτήματός σας πρέπει να είναι μέσα στα όρια ικανότητας του εργαλείου σας. Εξαρτήματα μη σωστού μεγέθους δεν μπορούν να προφυλαχθούν ή να ελεγχθούν επαρκώς.
6. Το μέγεθος της οπής προσαρμογής σε άξονα των τροχών, πελμάτων (πατούρες), βάσεων υποστήριξης ή τυχόν άλλων εξαρτημάτων πρέπει να ταιριάζει απολύτως στον άξονα μετάδοσης κίνησης του ηλεκτρικού εργαλείου. Εξαρτήματα με οπές προσαρμογής σε άξονα που δεν ταιριάζουν με τον εξοπλισμό εγκατάστασης του ηλεκτρικού εργαλείου θα λειτουργούν χωρίς ισορροπία, θα δονούνται υπερβολικά και μπορεί να προκαλέσουν απώλεια ελέγχου.

7. Μη χρησιμοποιείτε εξάρτημα που έχει υποστεί βλάβη. Πριν από κάθε χρήση, να εξετάζετε το εξάρτημα, όπως λειαντικούς τροχούς, για ριניάματα και ρωγμές, τη βάση υποστήριξης για ρωγμές, ρήξη ή υπερβολική φθορά, τη συρματοβουρτσα για χαλαρά ή ραγισμένα σύρματα. Εάν το ηλεκτρικό εργαλείο ή το εξάρτημα πέσει κάτω, ελέγξτε το για ζημιές ή προσαρμόστε ένα καλό εξάρτημα. Μετά τον έλεγχο και την προσαρμογή ενός εξαρτήματος, απομακρυνθείτε εσείς και οι γύρω σας από το επίπεδο περιστροφής του εξαρτήματος και αφήστε σε λειτουργία το ηλεκτρικό εργαλείο σε μέγιστη ταχύτητα χωρίς φορτίο για ένα λεπτό. Εξαρτήματα με ζημιές θα διαλυθούν κατά τον χρόνο αυτής της δοκιμής.
 8. Να φοράτε ατομικό εξοπλισμό προστασίας. Ανάλογα με την εφαρμογή, να χρησιμοποιείτε προσταπιδά προστασίας, προστατευτικά γυαλιά-προσωπίδες ή γυαλιά προστασίας. Όταν απαιτείται, να φοράτε μάσκα σκόνης, προστατευτικά ακοής, γάντια και ποδιά συνεργείου ικανά να παρέχουν προστασία από τα εκτινασόμενα μικρά θραύσματα λόγω της λείανσης ή του τεμαχίου εργασίας. Η μάσκα σκόνης ή η συσκευή αναπνοής πρέπει να είναι ικανή να φιλτράρει σωματίδια παραγόμενα από τις λειτουργίες σας. Παρατεταμένη έκθεση σε θόρυβο υψηλής συχνότητας μπορεί να προκαλέσει απώλεια ακοής.
 9. Κρατάτε τους γύρω σας σε μία ασφαλή απόσταση από τον χώρο εργασίας. Οποιοσδήποτε εισερχόμενος στο χώρο εργασίας πρέπει να φορά ατομικό προστατευτικό εξοπλισμό. Τεμαχίδια από το αντικείμενο εργασίας ή από ένα σπασμένο εξάρτημα μπορεί να εκτιναχθούν μακριά και να προκαλέσουν τραυματισμό πέραν της άμεσης περιοχής εργασίας.
 10. Κρατάτε το ηλεκτρικό εργαλείο μόνο από τις μονωμένες επιφάνειες κρατήματος, όταν εκτελείτε μία εργασία όπου το εξάρτημα κοπής μπορεί να έρθει σε επαφή με κρυμμένες καλωδιώσεις ή και με το δικό του καλώδιο. Το εξάρτημα κοπής που έρχεται σε επαφή με ένα ηλεκτροφόρο καλώδιο μπορεί να κάνει τα εκτεθειμένα μεταλλικά μέρη του ηλεκτρικού εργαλείου ηλεκτροφόρα και να προκαλέσει ηλεκτροπληξία στον χρήστη.
 11. Κρατήστε το καλώδιο μακριά από το περιστρεφόμενο εξάρτημα. Εάν χάσετε τον έλεγχο, το καλώδιο μπορεί να κοπεί ή να πιαστεί και το χέρι σας μπορεί να τραβηχθεί μέσα στο περιστρεφόμενο εξάρτημα.
 12. Ποτέ μην τοποθετείτε το ηλεκτρικό εργαλείο κάτω μέχρι το εξάρτημα να έχει σταματήσει τελείως. Το περιστρεφόμενο εξάρτημα μπορεί να πιάσει την επιφάνεια και να τραβήξει το ηλεκτρικό εργαλείο έξω από τον έλεγχο σας.
 13. Μη χειρίζεστε το ηλεκτρικό εργαλείο ενώ το μεταφέρετε στο πλευρό σας. Τυχαία επαφή με το περιστρεφόμενο εξάρτημα μπορεί να προκαλέσει πιάσιμο στα ρούχα σας και να τραβήξει το εξάρτημα μέσα στο σώμα σας.
 14. Καθαρίζετε τακτικά τις οπές αερισμού του ηλεκτρικού εργαλείου. Ο ανεμιστήρας του κινητήρα θα ταβήξει την σκόνη μέσα στο περιβλήμα και υπερβολική συγκέντρωση ρινοσμάτων μετάλλου μπορεί να προκαλέσει κίνδυνο ηλεκτροπληξίας.
 15. Μη χειρίζεστε το ηλεκτρικό εργαλείο κοντά σε εύφλεκτα υλικά. Σπινθήρες μπορεί να αναφλέξουν τα υλικά αυτά.
 16. Μη χρησιμοποιείτε εξαρτήματα που χρειάζονται ψυκτικά υγρά. Η χρήση νερού ή άλλων ψυκτικών υγρών μπορεί να προκαλέσουν ηλεκτροπληξία ή σοκ.
- Οπισθολάκτισμα και σχετικές προειδοποιήσεις**
 Η ανάκρουση (οπισθολάκτισμα) είναι μία ξαφνική αντίδραση του εργαλείου λόγω σύσφιξης ή σκάλματος του περιστρεφόμενου τροχού, της βάσης υποστήριξης, της βούρτσας ή τυχόν άλλου εξαρτήματος. Η σύσφιξη ή το σκάλωμα προκαλεί ταχεία απώλεια ελέγχου του περιστρεφόμενου εξαρτήματος το οποίο στη συνέχεια υποχρεώνει το ανεξέλεγκτο ηλεκτρικό εργαλείο σε περιστροφή αντίθετη από εκείνη του εξαρτήματος στο σημείο εμπλοκής.
 Για παράδειγμα, εάν ένας λειαντικός τροχός περιέλθει σε σύσφιξη ή σκάλωμα στο τεμάχιο εργασίας, η ακμή του τροχού που εισέρχεται στο σημείο σύσφιξης ενδέχεται να σκάψει την επιφάνεια του υλικού προκαλώντας την αναπήδηση ή το κλότσημα του τροχού. Ο τροχός ενδέχεται να αναπηδήσει προς το μέρος του χειριστή ή αντίθετα να απομακρυνθεί από αυτόν, ανάλογα με τη φορά περιστροφής του τροχού στο σημείο σύσφιξης. Υπό αυτές τις συνθήκες, οι τροχοί λείανσης ενδέχεται επίσης να υποστούν θραύση.
 Το οπισθολάκτισμα είναι αποτέλεσμα κακής χρήσης του ηλεκτρικού εργαλείου ή/και εσφαλμένων χειρισμών ή συνθηκών και μπορεί να αποφευχθεί με τις κατάλληλες προφυλάξεις όπως δίδονται παρακάτω.
- α) Κρατάτε σταθερά το ηλεκτρικό εργαλείο και τοποθετήστε το σώμα σας και τον βραχίονα έτσι ώστε να ανθίστανται στις δυνάμεις του οπισθολακτίσματος. Πάντοτε χρησιμοποιείτε την βσηθητική λαβή, εάν παρέχεται για μέγιστο έλεγχο οπισθολακτίσματος ή αντίδρασης ροπής κατά το ξεκίνηση. Ο χειριστής μπορεί να ελέγχει τις αντιδράσεις ροπής ή δυνάμεις οπισθολακτίσματος, εάν έχουν ληφθεί οι κατάλληλες προφυλάξεις.
 - β) Ποτέ μη βάλετε το χέρι σας κοντά στο περιστρεφόμενο εξάρτημα. Το εξάρτημα μπορεί να οπισθολακτίσει στο χέρι σας.
 - γ) Μη τοποθετήσετε το σώμα σας στην περιοχή όπου το ηλεκτρικό εργαλείο θα κινηθεί εάν συμβεί οπισθολάκτισμα. Το οπισθολάκτισμα θα οδηγήσει το εργαλείο σε διεύθυνση αντίθετη της κίνησης του τροχού στο σημείο εμπλοκής.
 - δ) Χρησιμοποιείτε πολύ προσοχή όταν εργάζεστε σε γωνίες, αιχμηρές άκρες κλπ. Αποφεύγετε αναπήδησεις και εμπλοκές του εξαρτήματος. Γωνίες, αιχμηρές άκρες ή αναπήδησεις έχουν την τάση να προκαλούν εμπλοκή στο περιστρεφόμενο εξάρτημα και προκαλούν απώλεια ελέγχου και οπισθολάκτισμα.

ε) Μην προσαρμόζετε αλυσίδα αλυσοπρίονου λάμα για ξυλογλυπτική ή λάμα πριονιού με δόντια. Τέτοιες λάμες προκαλούν συχνό οπισθολάκτισμα και απώλεια ελέγχου.

Προειδοποιήσεις ασφαλείας ειδικά για εργασίες κοπής:

α) Να χρησιμοποιείτε μόνον τύπους τροχών που συνιστώνται για χρήση με το δικό σας ηλεκτρικό εργαλείο και το συγκεκριμένο προφυλακτήρα που έχει σχεδιαστεί για τον επιλεγμένο τροχό. Η παροχή επαρκούς προστασίας από τροχούς για τις τυχόν οποίους δεν έχει σχεδιαστεί το ηλεκτρικό εργαλείο, δεν είναι δυνατή και επομένως οι τροχοί δεν είναι ασφαλείς.

β) Η προσαρμογή του προφυλακτήρα στο ηλεκτρικό εργαλείο πρέπει να πραγματοποιείται με ασφάλεια και η τοποθέτηση του να παρέχει τη μέγιστη δυνατή προστασία, ώστε ελάχιστο τμήμα του τροχού να εκτίθεται προς το μέρος του χειριστή. Ο προφυλακτήρας διευκολύνει την προστασία του χειριστή από ορασιμότητα του τροχού και τυχαία επαφή με τον τροχό.

γ) Οι τροχοί πρέπει να χρησιμοποιούνται μόνο στις προβλεπόμενες εφαρμογές. Για παράδειγμα: μη λειαινετε με την πλευρική επιφάνεια του τροχού κοπής. Οι τροχοί κοπής προορίζονται για περιφερειακή κοπή, η εφαρμογή πλευρικών δυνάμεων σε αυτούς τους τροχούς ενδέχεται να προκαλέσει τη θραύση τους.

δ) Να χρησιμοποιείτε πάντα πέλματα (πατούρες) τροχών που δεν έχουν υποστεί βλάβη και είναι κατάλληλου μεγέθους και σχήματος για τον επιλεγμένο τροχό. Τα κατάλληλα πέλματα (πατούρες) τροχών υποστηρίζουν τους τροχούς και μειώνουν επομένως την πιθανότητα θραύσης τους. Τα πέλματα των τροχών κοπής ενδέχεται να διαφέρον από τα πέλματα των τροχών λείανσης.

ε) Μη χρησιμοποιείτε φθαρμένους τροχούς από μεγαλύτερα ηλεκτρικά εργαλεία. Ένας τροχός που προορίζεται για χρήση με ένα μεγαλύτερο ηλεκτρικό εργαλείο δεν είναι κατάλληλος για την υψηλότερη ταχύτητα ενός μικρότερου εργαλείου και ενδέχεται να υποστεί θραύση.

Επιπλέον προειδοποιήσεις ασφαλείας ειδικά για εργασίες κοπής:

α) Μην προκαλείτε “μάγκωμα” του τροχού κοπής ή μην ασκείτε υπερβολική πίεση. Μην επιχειρείτε να δημιουργήσετε τομή υπερβολικού βάθους. Η άσκηση υπερβολικής δύναμης στον τροχό αυξάνει το φορτίο και τη δεκτικότητα σε συστολή ή εμπλοκή του τροχού εντός της τομής και την πιθανότητα ανάκρουσης (οπισθολάκτισμα) ή θραύσης του τροχού.

β) Μην ευθυγραμμίζετε το σώμα σας μπροστά ή πίσω από τον περιστρεφόμενο τροχό. Όταν ο τροχός, στο σημείο εργασίας, κινείται αναμακρυνόμενος από το σώμα σας, τυχόν ανάκρουση (οπισθολάκτισμα) ενδέχεται να κατευθύνει τον περιστρεφόμενο τροχό και το ηλεκτρικό εργαλείο προς το μέρος σας.

γ) Σε περίπτωση εμπλοκής του τροχού ή διακοπής της εργασίας για τη δημιουργία τομής για οποιοδήποτε λόγο, απενεργοποιήστε το ηλεκτρικό εργαλείο και κρατήστε το ακίνητο, έως ότου ο τροχός ακινητοποιηθεί πλήρως. Μην επιχειρήσετε ποτέ να αφαιρέσετε τον τροχό κοπής από την τομή ενώ ο τροχός κινείται, διότι ενδέχεται να παρουσιαστεί ανάκρουση (οπισθολάκτισμα). Ερευνήστε και λάβετε διορθωτικά μέτρα ώστε να εξαλειφθεί η αιτία εμπλοκής του τροχού.

δ) Μην επαναλάβετε την εργασία κοπής στο τεμάχιο εργασίας. Αφήστε τον τροχό να αποκτήσει μέγιστη ταχύτητα και επανεισάγετε τον τροχό στην τομή με προσοχή. Ο τροχός ενδέχεται να παρουσιάσει εμπλοκή, αναπήδηση ή ανάκρουση εάν ενεργοποιήσετε το ηλεκτρικό εργαλείο εντός του τεμαχίου εργασίας.

ε) Να στηρίζετε τα φατνώματα ή οποιοδήποτε υπερμέγεθες τεμάχιο εργασίας ώστε να ελαχιστοποιηθεί ο κίνδυνος σύσφιγξης και ανάκρουσης (οπισθολάκτισμα) του τροχού. Τα μεγάλα τεμάχια εργασίας τείνουν να παρουσιάζουν κάμψη προς τα κάτω λόγω του βάρους τους. Πρέπει να τοποθετούνται υποστηρίγματα κάτω από το τεμάχιο εργασίας κοντά στη γραμμή κοπής και κοντά στο άκρο του τεμαχίου εργασίας σε αμφοτέρως τις πλευρές του τροχού.

φ) Να είστε ιδιαίτερα προσεκτικοί όταν δημιουργείτε μια “τομή-κοιλότητα” σε υπάρχοντες τοίχους ή άλλες τυφλές περιοχές. Ο προεξέχων τροχός ενδέχεται να κόψει σωλήνες αερίου ή ύδρευσης, ηλεκτρικές καλωδιώσεις ή αντικείμενα που μπορούν να προκαλέσουν ανάκρουση (οπισθολάκτισμα).

Επιπλέον προειδοποιήσεις ασφαλείας:

17. Όταν χρησιμοποιείτε τροχούς λείανσης με χαμηλό κέντρο, φροντίστε οι τροχοί να φέρουν ενίσχυση από ίνες γυαλιού μόνο.

18. Προσέξτε ώστε να μην προκαλέσετε βλάβη στον άξονα μετάδοσης της κίνησης, στο πέλμα (πατούρα) (ιδιαίτερα στην επιφάνεια εγκατάστασης) ή στο ασφαλιστικό περικόχλιο. Τυχόν βλάβη στα συγκεκριμένα μέρη θα μπορούσε να καταλήξει σε θραύση του τροχού.

19. Φροντίστε ο τροχός να μην έρχεται σε επαφή με το τεμάχιο εργασίας πριν από την ενεργοποίηση του διακόπτη.

20. Πριν από τη χρήση του τροχού πάνω σε πραγματικό τεμάχιο εργασίας, αφήστε τον σε λειτουργία για μικρό χρονικό διάστημα. Παρατηρήστε εάν υπάρχουν δονήσεις ή ταλάντευση που υποδηλώνουν κακή εγκατάσταση ή τροχό με κακή ισορροπία.

21. Χρησιμοποιήστε την προκαθορισμένη επιφάνεια του τροχού για να εκτελέσετε την εργασία λείανσης.

22. Να είστε προσεκτικοί με τις εκτινασσόμενες σπίνες. Κρατήστε το εργαλείο με τρόπο ώστε οι σπίνες να εκτινασσονται μακριά από το σώμα σας και άλλα άτομα ή εύφλεκτα υλικά.

23. Μην αφήνετε το εργαλείο αναμμένο. Χειρίζεστε το εργαλείο μόνο όταν το κρατάτε στο χέρι.

24. Μην αγγίζετε το τεμάχιο εργασίας αμέσως μετά τη λειτουργία. Μπορεί να είναι υπερβολικά καυτό και να προκαλέσει έγκαυμα.

25. Να φροντίζετε πάντα ώστε να έχει απενεργοποιηθεί και αποσυνδεθεί το εργαλείο από την παροχή ρεύματος ή να έχει αφαιρεθεί η θήκη μπαταριών πριν από την εκτέλεση οποιασδήποτε εργασίας στο εργαλείο.
26. Μειώστε τις οδηγίες του κατασκευαστή για σωστή τοποθέτηση και χρήση των τροχών. Χειριστείτε και αποθηκεύστε τους τροχούς με φροντίδα.
27. Μη χρησιμοποιείτε ξεχωριστές συστολές ή προσαρμογείς για να προσαρμόσετε τροχούς με μεγάλη οπή προσαρμογής σε άξονα.
28. Χρησιμοποιείτε φλάντζες κατάλληλες για το εργαλείο.
29. Για εργαλεία στα οποία πρόκειται να τοποθετηθεί τροχός με οπή με σπείρωμα, σιγουρευτείτε ότι το σπείρωμα στον τροχό έχει επαρκές μήκος για να δεχτεί το μήκος της άξονα.
30. Ελέγξτε ότι το μηχάνημα υποστηρίζεται σταθερά.
31. Προσέξτε ότι ο τροχός συνεχίζει να περιστρέφεται ακόμη και αφού το μηχάνημα έχει σβήσει.
32. Εάν το μέρος εργασίας είναι πολύ ζεστό και υγρό, ή υπάρχει πολύ αγωγίμη σκόνη, χρησιμοποιείτε ένα ασφαλειοδιακόπτη βραχυκυκλώματος (30 mA) για να είστε σίγουροι για ασφαλή λειτουργία.
33. Μη χρησιμοποιείτε το μηχάνημα σε κανένα υλικό που περιέχει άσβεστο.
34. Μη χρησιμοποιείτε νερό ή λιπαντικό τρόχισης.
35. Σιγουρευτείτε ότι τα οπές εξαερισμού διατηρούνται ανοιχτά όταν εργάζεστε σε σκοτισμένο περιβάλλον. Εάν χρειαστεί να καθαρίσετε τη σκόνη, πρώτα αποσυνδέστε το μηχάνημα από την κύρια παροχή (χρησιμοποιήστε μη μεταλλικά αντικείμενα) και αποφύγετε να καταστρέψετε εσωτερικά μέρη.
36. Όταν χρησιμοποιείτε τροχό κοπής, πάντοτε εργάζεστε με προφυλακτήρα τροχού συλλογής σκόνης όπως απαιτείται από τους τοπικούς κανονισμούς.
37. Οι δίσκοι κοπής δεν πρέπει να υπόκεινται σε πλευρική πίεση.

ΦΥΛΑΞΕΤΕ ΑΥΤΕΣ ΤΙΣ ΟΔΗΓΙΕΣ.

ΠΡΟΕΙΔΟΠΟΙΗΣΗ:

ΜΗΝ επιτρέψετε το βαθμό άνεσης ή εξοικείωσης με το προϊόν (λόγω επανειλημμένης χρήσης) να αντικαταστήσει την αυστηρή τήρηση των κανόνων ασφαλείας του παρόντος εργαλείου. **ΚΑΚΗ ΧΡΗΣΗ** ή αμέλεια να ακολουθήσετε τους κανόνες ασφαλείας που περιγράφονται σ' αυτό το εγχειρίδιο οδηγιών μπορεί να προκαλέσει σοβαρό προσωπικό τραυματισμό.

ΠΕΡΙΓΡΑΦΗ ΛΕΙΤΟΥΡΓΙΑΣ

ΠΡΟΣΟΧΗ:

- Πάντοτε βεβαιώνετε ότι το εργαλείο είναι σβηστό και αποσυνδεδεμένο από το ρεύμα πριν ρυθμίσετε ή ελέγξετε κάποια λειτουργία του εργαλείου.

Ρύθμιση του βάθους κοπής (Εικ. 1)

Χαλαρώστε το μπουλόνι με πτερύγια στον οδηγό βάθους και μετακινήστε την βάση πάνω ή κάτω. Στο επιθυμητό βάθος κοπής, ασφαλίστε την βάση σφίγγοντας.

Μόνο για την περίπτωση ρύθμισης του βάθους κοπής στο μέγιστο βάθος, σιγουρευτείτε πάντοτε ότι εκτελείτε την ρύθμιση βάθους μετά την ρύθμιση του προστατευτικού του τροχού.

Ασφάλιση προστατευτικού τροχού (Εικ. 2)

ΠΡΟΣΟΧΗ:

- Το προστατευτικό τροχού πρέπει να ρυθμιστεί στο εργαλείο έτσι ώστε η κλειστή άκρη του προστατευτικού πάντοτε βλέπει προς τον χειριστή.

Το προστατευτικό τροχού μπορεί να ρυθμιστεί περί τους 80 βαθμούς, αφού χαλαρωθεί το παξιμάδι σύσφιξης. Ρυθμίστε στην επιθυμητή γωνία, μετά ασφαλίστε το παξιμάδι σύσφιξης.

Λειτουργία διακόπτη (Εικ. 3)

ΠΡΟΣΟΧΗ:

- Πριν συνδέσετε το εργαλείο στο ρεύμα, ελέγξτε να δείτε ότι η σκανδάλη διακόπτης ενεργοποιείται κανονικά και επιστρέφει στη θέση "OFF" όταν ελευθερώνεται.

Για εργαλείο με διακόπτη ασφάλισης

Για να ξεκινήσετε το εργαλείο, απλώς τραβήχτε την σκανδάλη διακόπτη (Διεύθυνση Α). Ελευθερώστε την σκανδάλη διακόπτη για να σταματήσει.

Για συνεχή λειτουργία, τραβήχτε την σκανδάλη διακόπτη (Διεύθυνση Α) και μετά σπρώχτε μέσα το μοχλό ασφάλισης (Διεύθυνση Β).

Για να σταματήσει το εργαλείο από την θέση ασφάλισης, τραβήχτε πλήρως την σκανδάλη διακόπτη (Διεύθυνση Α), μετά ελευθερώστε την.

Για εργαλείο με τον διακόπτη απασφάλισης

Για να εμποδιστεί το τυχαίο τράβηγμα της σκανδάλης διακόπτη, ένας μοχλός ασφάλισης έχει προβλεφθεί.

Για να ξεκινήσει το εργαλείο, σπρώχτε μέσα τον μοχλό ασφάλισης (Διεύθυνση Β) και μετά τραβήχτε την σκανδάλη διακόπτη (Διεύθυνση Α). Ελευθερώστε την σκανδάλη διακόπτη για να σταματήσει.

Για εργαλείο με διακόπτη ασφάλισης και απασφάλισης

Για να εμποδιστεί το τυχαίο τράβηγμα της σκανδάλης διακόπτη, ένας μοχλός ασφάλισης έχει προβλεφθεί.

Για να ξεκινήσει το εργαλείο, σπρώχτε μέσα τον μοχλό ασφάλισης (Διεύθυνση Β) και μετά τραβήχτε την σκανδάλη διακόπτη (Διεύθυνση Α). Ελευθερώστε την σκανδάλη διακόπτη για να σταματήσει.

Για συνεχή λειτουργία, σπρώχτε μέσα το μοχλό ασφάλισης (Διεύθυνση Β). τραβήχτε την σκανδάλη διακόπτη (Διεύθυνση Α) και μετά σπρώχτε τον μοχλό ασφάλισης (Διεύθυνση Β) πιά μέσα.

Για να σταματήσει το εργαλείο από την θέση ασφάλισης, τραβήχτε πλήρως την σκανδάλη διακόπτη (Διεύθυνση Α), μετά ελευθερώστε την.

ΣΥΝΑΡΜΟΛΟΓΗΣΗ

ΠΡΟΣΟΧΗ:

- Πάντοτε βεβαιώνετε ότι το εργαλείο είναι σβηστό και αποσυνδεδεμένο πριν εκτελέσετε οποιαδήποτε εργασία στο εργαλείο.

Τοποθέτηση ή αφαίρεση του τροχού (Εικ. 4 και 5)

Για αφαίρεση του τροχού, κατεβάστε την ασφάλιση άξονα για να τον ακινητοποιήσετε, μετά χαλαρώστε το εξάγωνο μπουλόνι δεξιόστροφα με το κίλο κλειδί.

Για εγκατάσταση ενός τροχού, βάλτε το παρέμβυσμα με την μερικώς ανυψωμένη πλευρά του προς την μεριά του εργαλείου, μετά τοποθετήστε ένα δακτύλιο πριν βγάλετε τροχό στον άξονα και άλλο ένα παρέμβυσμα με την μερικώς ανυψωμένη πλευρά του προς τα έξω.

Βεβαιώνετε ότι σφίγγετε πλήρως το εξάγωνο μπουλόνι αριστερόστροφα αφού τοποθετήσετε το νέο τροχό, αλλιώς η λειτουργία θα είναι επικίνδυνη.

ΠΡΟΣΟΧΗ:

- Χρησιμοποιείτε μόνο το κλειδί Dolmar για τοποθέτηση ή αφαίρεση του τροχού.

ΛΕΙΤΟΥΡΓΙΑ

ΠΡΟΣΟΧΗ:

Βεβαιώνετε ότι τραβάτε το εργαλείο όταν κόβετε ένα τεμάχιο εργασίας.

- Χρησιμοποιείτε το εργαλείο αυτό μόνο για ίσιες κοπές. Κοπή καμπυλών μπορεί να προκαλέσει πιέσεις, ρωγμές ή κατατεμαχισμό του διαμαντένιου τροχού και του τροχού λείανσης με αποτέλεσμα πιθανό τραυματισμό σε άτομα γύρω σας.
- Μετά την λειτουργία, πάντοτε σβήνετε το εργαλείο και περιμένετε μέχρι ο τροχός να φθάσει σε πλήρη στάση πριν αφήσετε κάτω το εργαλείο.
- Όταν κόβετε τεμάχια σκυροδέματος, κεραμικά ή οικοδομικά υλικά, μη κάνετε κοπές με βάθος περισσότερο από 60 χιλ. Όταν χρειάζεστε να κόψετε ένα τεμάχιο εργασίας από 60 χιλ έως 100 χιλ, κάνετε περισσότερα από δύο περάσματα κοπής. Το βάθος της επαρκέστερης κοπής είναι περίπου 40 χιλ.

Κρατάτε το εργαλείο σταθερά με τα δύο σας χέρια. Πρώτα κρατάτε τον τροχό χωρίς να κάνετε καμιά επαφή με το τεμάχιο εργασίας που πρόκειται να κοπεί. Μετά ανάψτε το εργαλείο και περιμένετε μέχρι ο τροχός να αποκτήσει πλήρη ταχύτητα.

Η κοπή γίνεται τραβώντας το εργαλείο προς το μέρος σας (όχι σπρώχνοντάς το μακριά σας). Ευθυγραμμίστε την εγκοπή στην βάση με την γραμμή κοπή σας όταν εκτελείτε μία κοπή.

Σβήστε το εργαλείο στην θέση που βρίσκεται όταν τελειώνετε μία κοπή. Σηκώστε το εργαλείο αφού ο τροχός φθάσει σε μία πλήρη στάση. (Εικ. 6)

ΣΥΝΤΗΡΗΣΗ

ΠΡΟΣΟΧΗ:

- Πάντοτε βεβαιώνετε ότι το εργαλείο είναι σβηστό και αποσυνδεδεμένο πριν επιχειρήσετε να εκτελέσετε επιθεώρηση ή συντήρηση.
- Μην χρησιμοποιείτε ποτέ βενζίνη, πετρελαϊκό αιθέρα, διαλυτικό, αλκοόλη ή παρόμοιες ουσίες. Ενδέχεται να προκληθεί αποχρωματισμός παραμόρφωση ή ρωγμές.

Επεξεργασία διαμαντένιου τροχού

Εάν η απόδοση κοπής του διαμαντένιου τροχού αρχίσει να εξασθενεί, χρησιμοποιείτε ένα παλιό τροχό λείανσης από πεταμένο πάγκο τραχέος αμμόλιθου, ή από μπλοκ σκυροδέματος για την επεξεργασία του διαμαντένιου τροχού. Για να το κάνετε αυτό, ασφαλίστε σφίχτά τον τροχό λείανσης πάγκου ή μπλοκ σκυροδέματος και κόψτε το.

Αντικατάσταση ψηκτρών άνθρακα (Εικ. 7 και 8)

Όταν το άκρο μόνωσης ρητίνης μέσα στην ψήκτρα άνθρακα εκτίθεται σε επαφή με τον μεταλλάκτη, θα σβήσει αυτόματα τον κινητήρα. Όταν αυτό συμβεί, και οι δύο ψήκτρες άνθρακα πρέπει να αντικατασταθούν. Διατηρείτε τις ψήκτρες άνθρακα καθαρές και ελεύθερες να γλιστρούν μέσα στις θήκες. Και οι δύο ψήκτρες άνθρακα πρέπει να αντικαθίστανται ταυτόχρονα. Χρησιμοποιείτε μόνο ταυτόσημες ψήκτρες άνθρακα.

Πιάστε το ένα άκρο του καλύμματος σκόνης ελαφρά με τα χέρια έτσι ώστε να εμφανιστεί το καπάκι της θήκης της ψήκτρας.

Χρησιμοποιείτε ένα καταβίδι να αφαιρέσετε τα καπάκια των θηκών ψηκτρών. Βγάλετε τις φθαρμένες ψήκτρες άνθρακα, βάλτε τις νέες και ασφαλίστε τα καπάκια των θηκών των ψηκτρών.

Για την διατήρηση της ΑΣΦΑΛΕΙΑΣ και ΑΞΙΟΠΙΣΤΙΑΣ του προϊόντος, επισκευές, οποιαδήποτε άλλη συντήρηση ή ρύθμιση πρέπει να εκτελούνται από τα Εξουσιοδοτημένα Κέντρα Εξυπηρέτησης της Dolmar, με χρήση πάντοτε ανταλλακτικών Dolmar.

ΠΡΟΑΙΡΕΤΙΚΑ ΕΞΑΡΤΗΜΑΤΑ

ΠΡΟΣΟΧΗ:

- Αυτά τα εξαρτήματα ή προσαρτήματα συνιστώνται για χρήση με το εργαλείο Dolmar που περιγράφηκε στις οδηγίες αυτές. Η χρήση οτιδήποτε άλλων εξαρτημάτων ή προσαρτημάτων μπορεί να προκαλέσει κίνδυνο τραυματισμού σε άτομα. Χρησιμοποιείτε τα εξαρτήματα ή προσαρτήματα μόνο για την χρήση που προορίζονται.

Εάν χρειάζεστε οποιαδήποτε βοήθεια για περισσότερες πληροφορίες σε σχέση με αυτά τα εξαρτήματα, απαντήστε στο τοπικό σας κέντρο εξυπηρέτησης Dolmar.

- Διαμαντένιο τροχού (Ξηρού τύπου)
- Λειαντικοί τροχοί αποκοπής
- Κίλο κλειδί 17
- Ματογυάλια ασφάλειας
- Δακτύλιος 20
- Αρθρωση αγκώνα

Σύνδεση σε ηλεκτρική σκούπα (Εικ. 9)

Όταν επιθυμείτε να εκτελείτε καθαρότερες εργασίες, συνδέστε μιά ηλεκτρική σκούπα στο εργαλείο σας. Συνδέστε τον σωλήνα μιάς ηλεκτρικής σκούπας στο στόμιο σκόνης μέσω μιάς άρθρωσης αγκώνα (Εξαρτήματα).

ΠΑΡΑΤΗΡΗΣΗ:

- Μερικά στοιχεία στη λίστα μπορεί να συμπεριλαμβάνονται στη συσκευασία εργαλείου ως στάνταρ εξαρτήματα. Μπορεί να διαφέρουν ανάλογα με τη χώρα.

ENG102-3

Θόρυβος

Το τυπικό Α επίπεδο μετρημένου θορύβου καθορίζεται σύμφωνα με το EN60745:

Για μοντέλο EC-2412

Πίεση ήχου (L_{pA}): 101 dB(A)
Επίπεδο δύναμης ήχου (L_{WA}): 112 dB (A)
Αβεβαιότητα (K): 3 dB (A)

Για μοντέλο EC-2414

Πίεση ήχου (L_{pA}): 103 dB(A)
Επίπεδο δύναμης ήχου (L_{WA}): 114 dB (A)
Αβεβαιότητα (K): 3 dB (A)

Φοράτε ωτοασπίδες

ENG229-2

Κραδασμός

Η ολική τιμή δόνησης (άθροισμα τρι-αξονικού διανύσματος) καθορίζεται σύμφωνα με το EN60745:

Για μοντέλο EC-2412

Είδος εργασίας: κοπή σκυροδέματος
Εκπομπή δόνησης (a_{h1}): 2,5 m/s²
Αβεβαιότητα (K): 1,5 m/s²

Για μοντέλο EC-2414

Είδος εργασίας: κοπή σκυροδέματος
Εκπομπή δόνησης (a_{h1}): 3,0 m/s²
Αβεβαιότητα (K): 1,5 m/s²

ENG901-1

- Η δηλωμένη τιμή εκπομπής κραδασμών έχει μετρηθεί σύμφωνα με την πρότυπη μέθοδο δοκιμής και μπορεί να χρησιμοποιηθεί για τη σύγκριση ενός εργαλείου με άλλο.
- Η δηλωμένη τιμή εκπομπής κραδασμών μπορεί να χρησιμοποιηθεί και στην προκαταρκτική αξιολόγηση έκθεσης.

ΠΡΟΕΙΔΟΠΟΙΗΣΗ:

- Η εκπομπή κραδασμών κατά τη χρήση του ηλεκτρικού εργαλείου σε πραγματικές συνθήκες μπορεί να διαφέρει από τη δηλωμένη τιμή εκπομπής ανάλογα με τον τρόπο χρήσης του εργαλείου.
- Φροντίστε να λάβετε τα κατάλληλα μέτρα προστασίας του χειριστή βάσει υπολογισμού της έκθεσης σε πραγματικές συνθήκες χρήσης (λαμβάνοντας υπόψη όλες τις συνιστώσες του κύκλου λειτουργίας όπως τους χρόνους που το εργαλείο είναι εκτός λειτουργίας και όταν βρίσκεται σε αδρανή λειτουργία πέραν του χρόνου ενεργοποίησης).

Μόνο για χώρες της Ευρώπης**Δήλωση Συμμόρφωσης ΕΚ**

Οι κάτωθι υπογεγραμμένοι, Tamiro Kishima και Rainer Bergfeld, εξουσιοδοτούμενοι από τη Dolmar GmbH, δηλώνουν ότι το/τα μηχάνημα(τα) Dolmar:
Χαρακτηρισμός μηχανήματος: Γωνιακός κόφτης
Αρ. μοντέλου/ Τύπος: EC-2412, EC-2414
είναι εν σειρά παραγωγή και **συμμορφώνονται με τις ακόλουθες Ευρωπαϊκές Οδηγίες:**

2006/42/ΕΚ

και κατασκευάζονται σύμφωνα με τα ακόλουθα πρότυπα ή έγγραφα τυποποίησης:

EN60745

Το αρχείο της τεχνικής τεκμηρίωσης φυλάσσεται στη διεύθυνση:

Dolmar GmbH,
Jenfelder Straße 38, Abteilung FZ,
D-22045 Hamburg (Αμβούργο)

30.1.2009



Tamiro Kishima
Γενικός Διευθυντής



Rainer Bergfeld
Γενικός Διευθυντής



DOLMAR GmbH
Postfach 70 04 20
D-22004 Hamburg
<http://www.dolmar.com>

884534D996

IDE